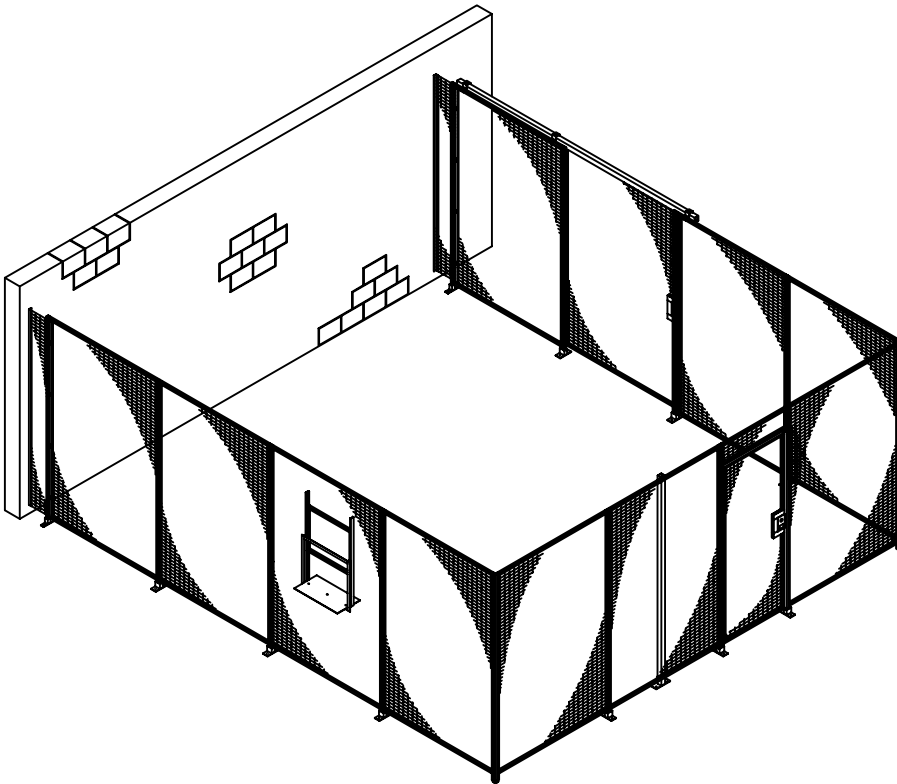


# SPACEGUARD

PRODUCTS

## Series 2180 Installation Details



While a number of parts and accessories are necessary, there is no mystery involved. Any maintenance crew can properly install these partitions.

DO - Use chalk lines to help line up panels and posts.

DO - Check all hardware connections from time to time and adjust as needed.

DO - On Extra Wide Single Sliding Doors hang one panel at a time on the track and then bolt the two together to complete the door panel.

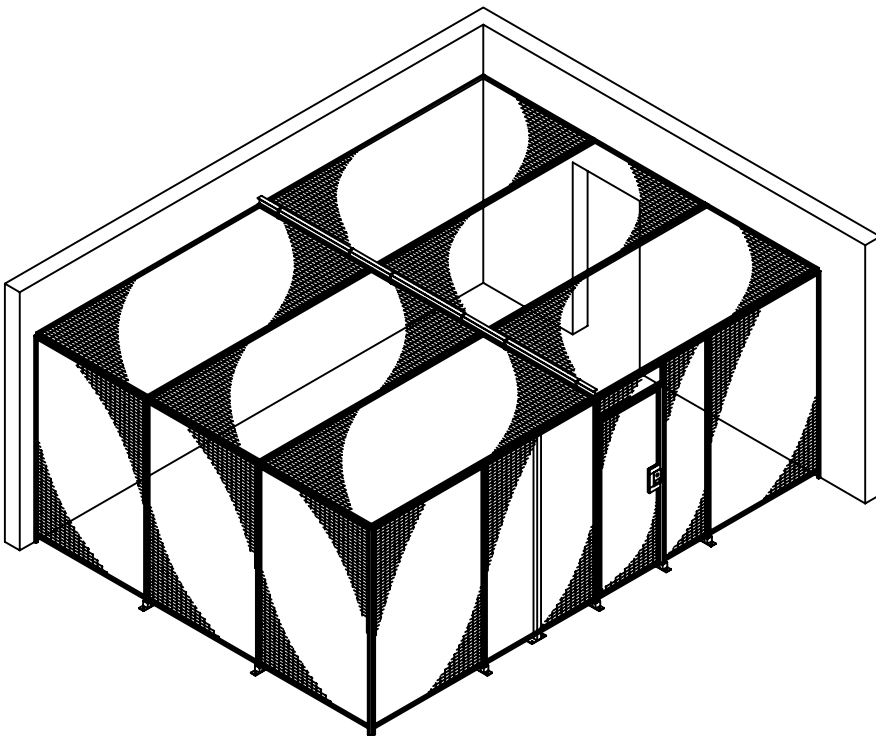
DON'T - Locate Adjustable Panels next to a door panel.

DON'T - Locate sliding door panels at corners or walls.

DON'T - Put Service Windows in panels adjacent to a sliding door in the direction in which the door slides.

DON'T - Use Full Height Opening Sliding Doors with partitions having a ceiling unless the door is mounted outside the enclosure.

NOTICE - All studs, anchors and associated nuts and bolts shown herein are for reference only and unless ordered separately will not be included in the hardware kits. Anchors may be ordered in 3/8" diameters.



# TABLE OF CONTENTS

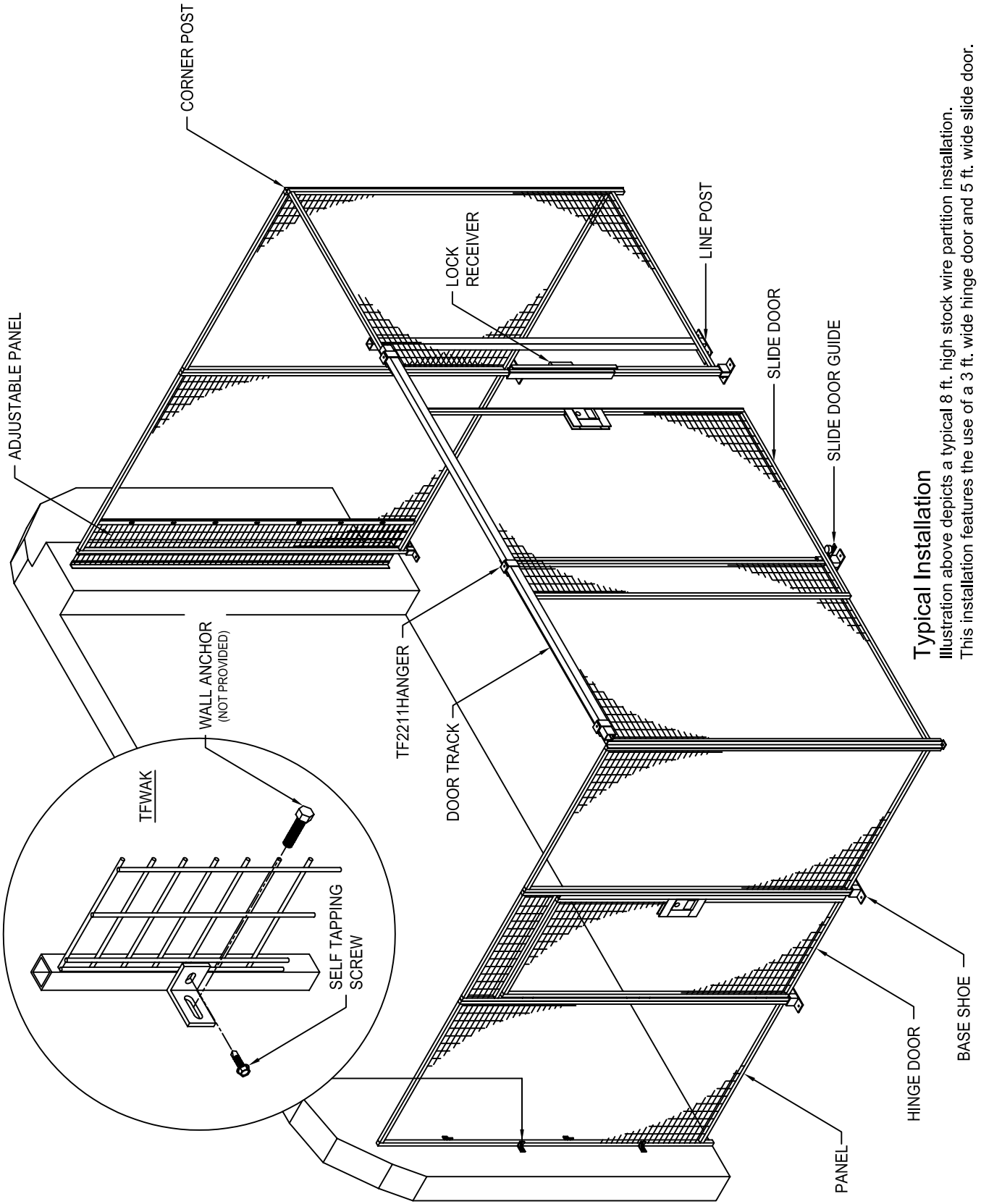
<i>Installation Hints</i> .....	<i>front cover</i>
<i>Typical Installation</i> .....	3
<i>Single Hinge Door on an 8 ft. Cage</i> .....	4
<i>Single Hinge Door on an 10 ft. Cage</i> .....	5
<i>Single Slide Door on an 8 ft. Cage</i> .....	6
<i>Slide Door Details</i> .....	7
<i>Extra Wide 6' x 8' Single Slide Door</i> .....	8
<i>Slide Door Details</i> .....	9
<i>Extra Wide 10' x 8' Single Slide Door</i> .....	10
<i>Slide Door Details</i> .....	11
<i>Adjustable Panel, Panel to Panel Connection</i> .....	12
<i>Adjustable Panel, Panel to Wall Connection</i> .....	13
<i>Line Post Connection Details</i> .....	14
<i>Corner Post Connection &amp; Panel to Panel Connection</i> .....	15
<i>Adjustable Corner Kit</i> .....	16
<i>Service Window</i> .....	17
<i>Typical Ceiling Installation</i> .....	18
<i>Typical Ceiling Applications</i> .....	19

---

*Dear Customer,*

*Thank you for purchasing a quality wire partition from SpaceGuard Products. This installation guide will assist you in most, if not all, of the typical situations that occur when erecting our wire partitions. However, if you need assistance or have any questions on our product or installation of it, please call us.*

*Thank You,  
SpaceGuard Products*



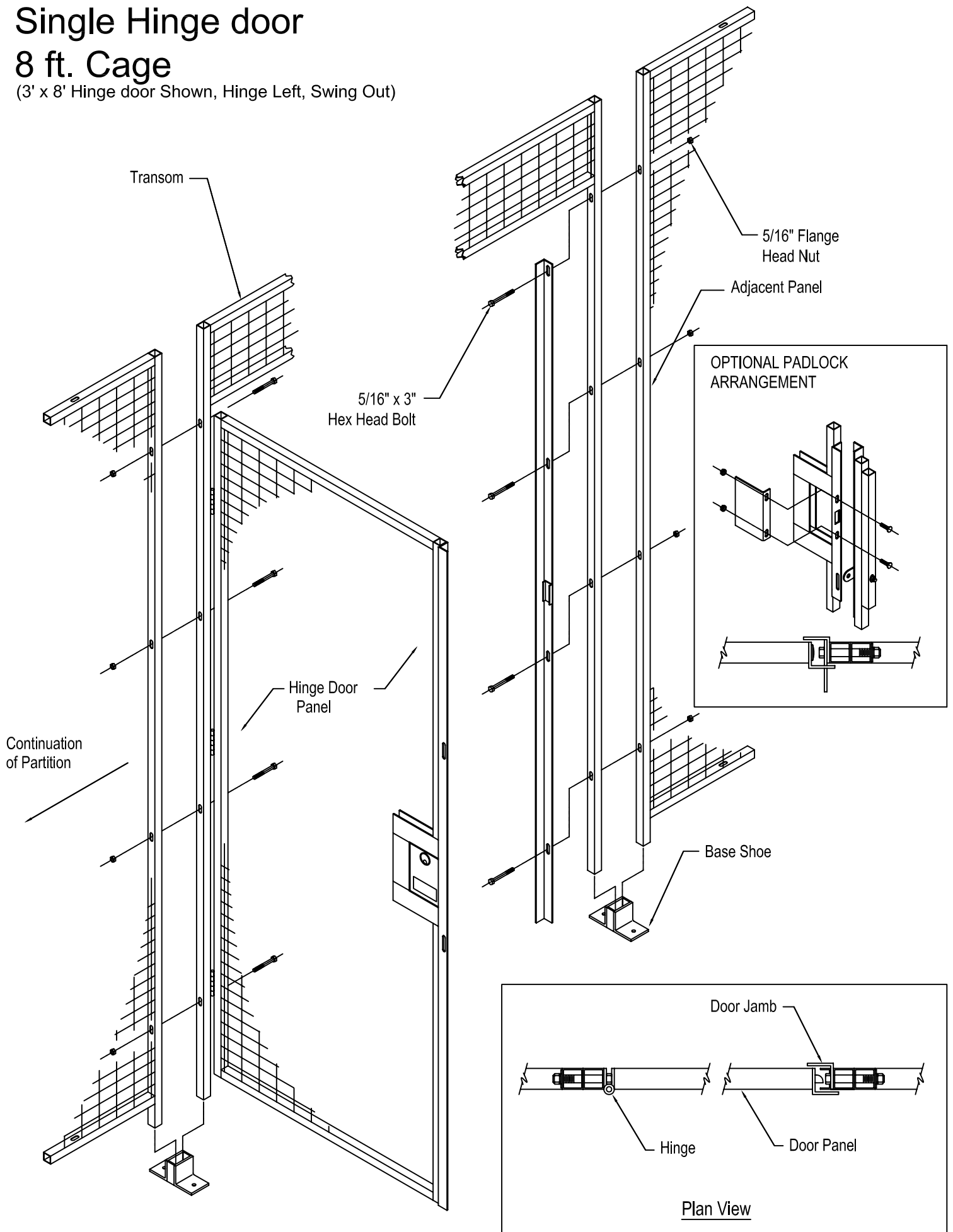
### Typical Installation

Illustration above depicts a typical 8 ft. high stock wire partition installation. This installation features the use of a 3 ft. wide hinge door and 5 ft. wide slide door. The hinge door is 7 ft. high with a transom above. Also shown are the adjustable panel and standard wire panels.

# Single Hinge door

## 8 ft. Cage

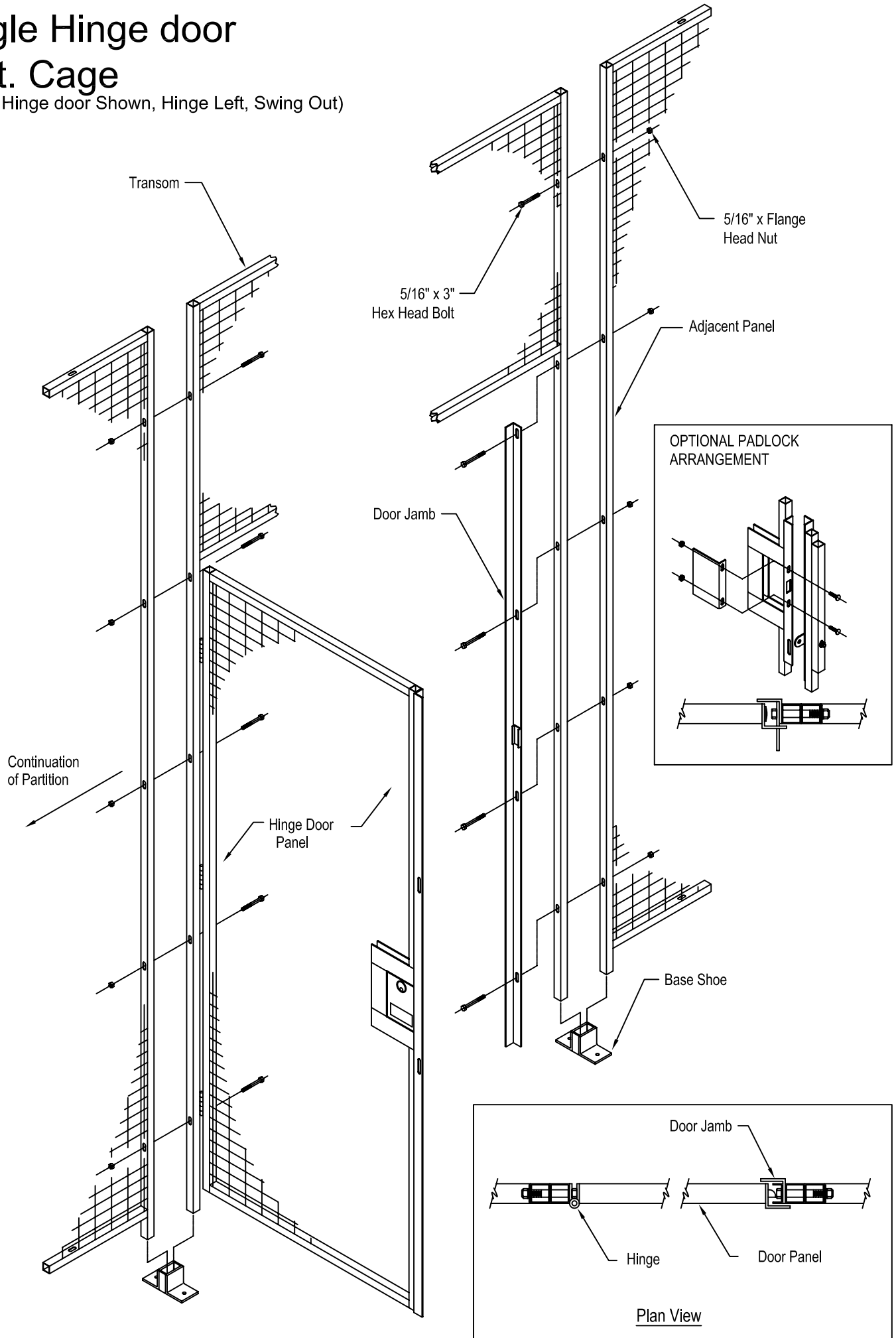
(3' x 8' Hinge door Shown, Hinge Left, Swing Out)



# Single Hinge door

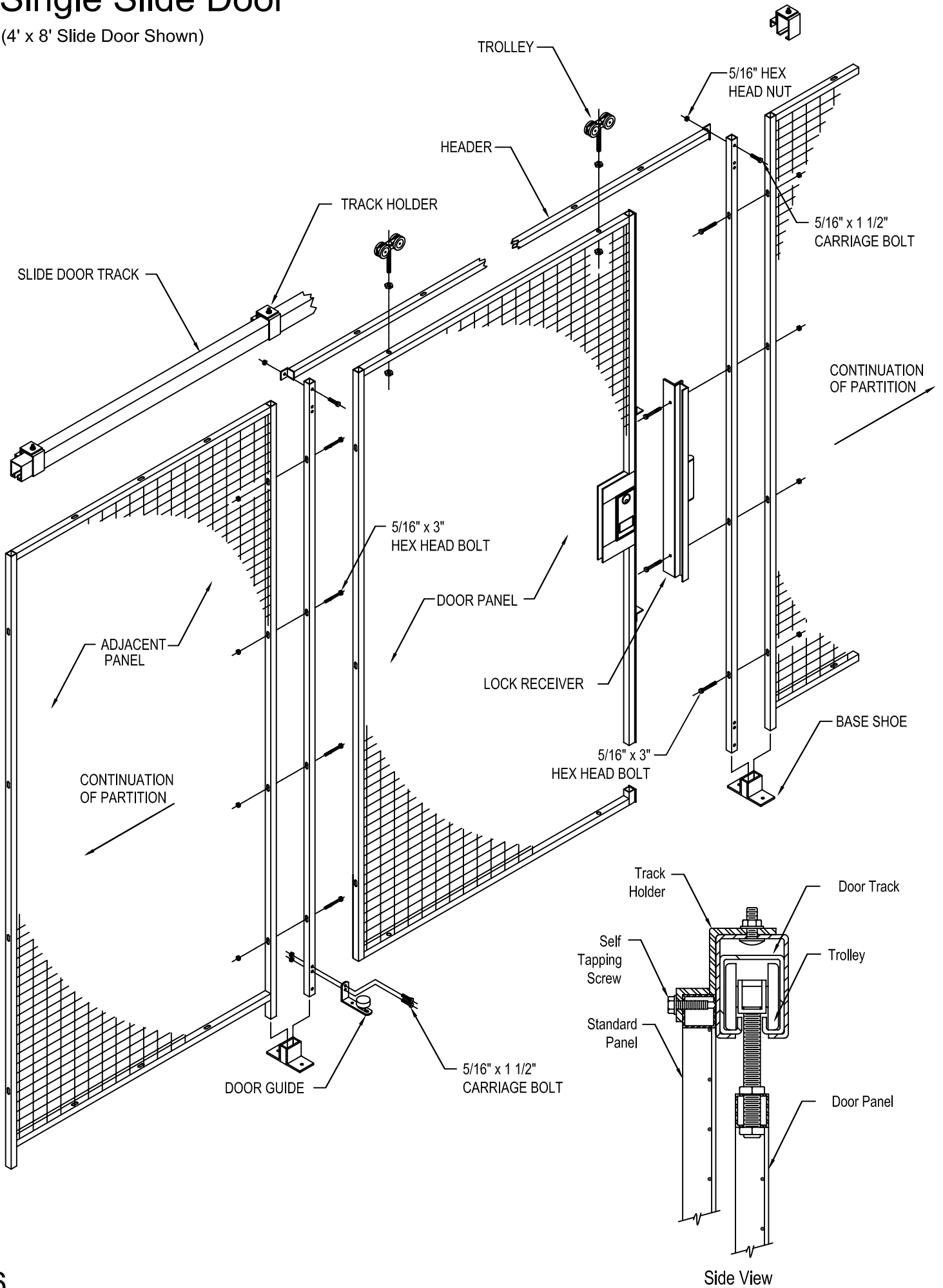
## 10 ft. Cage

(3' x 10' Hinge door Shown, Hinge Left, Swing Out)

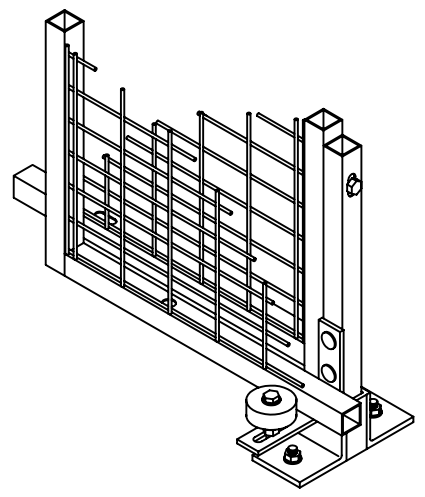
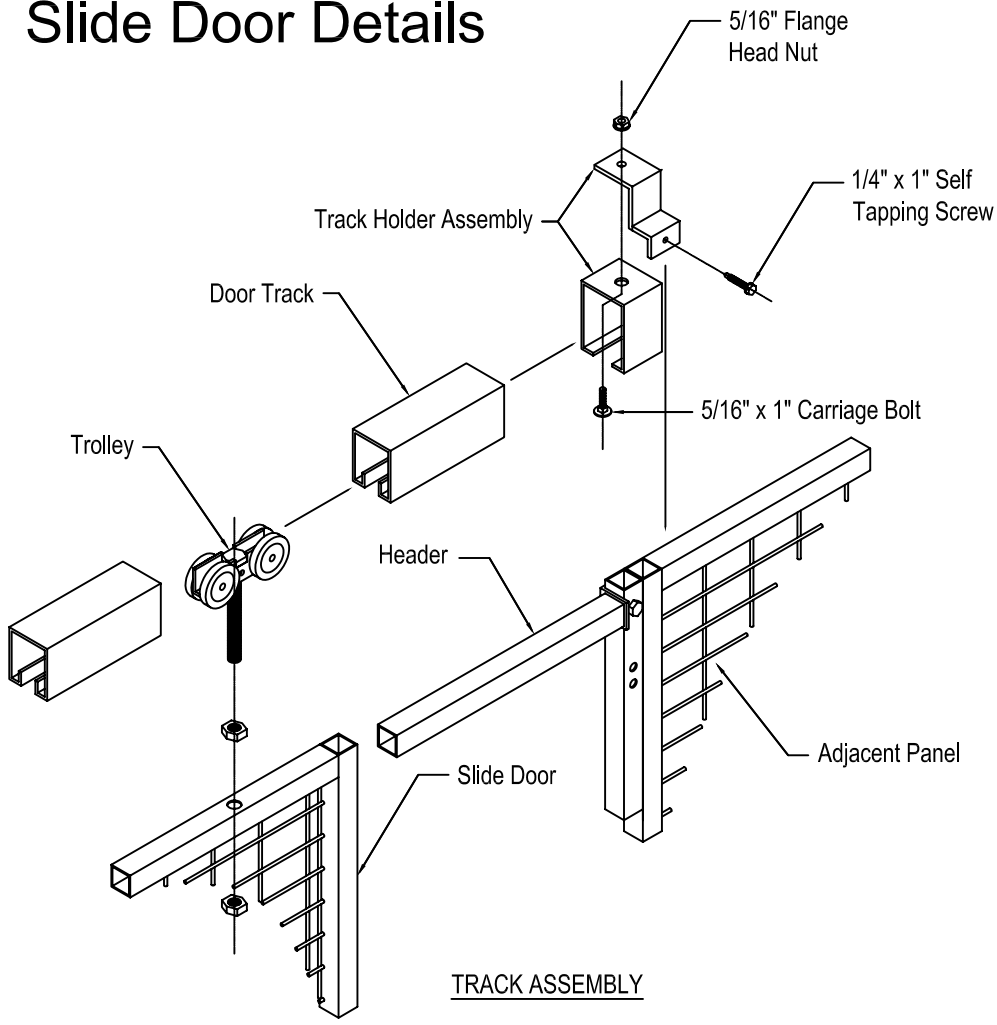


# Single Slide Door

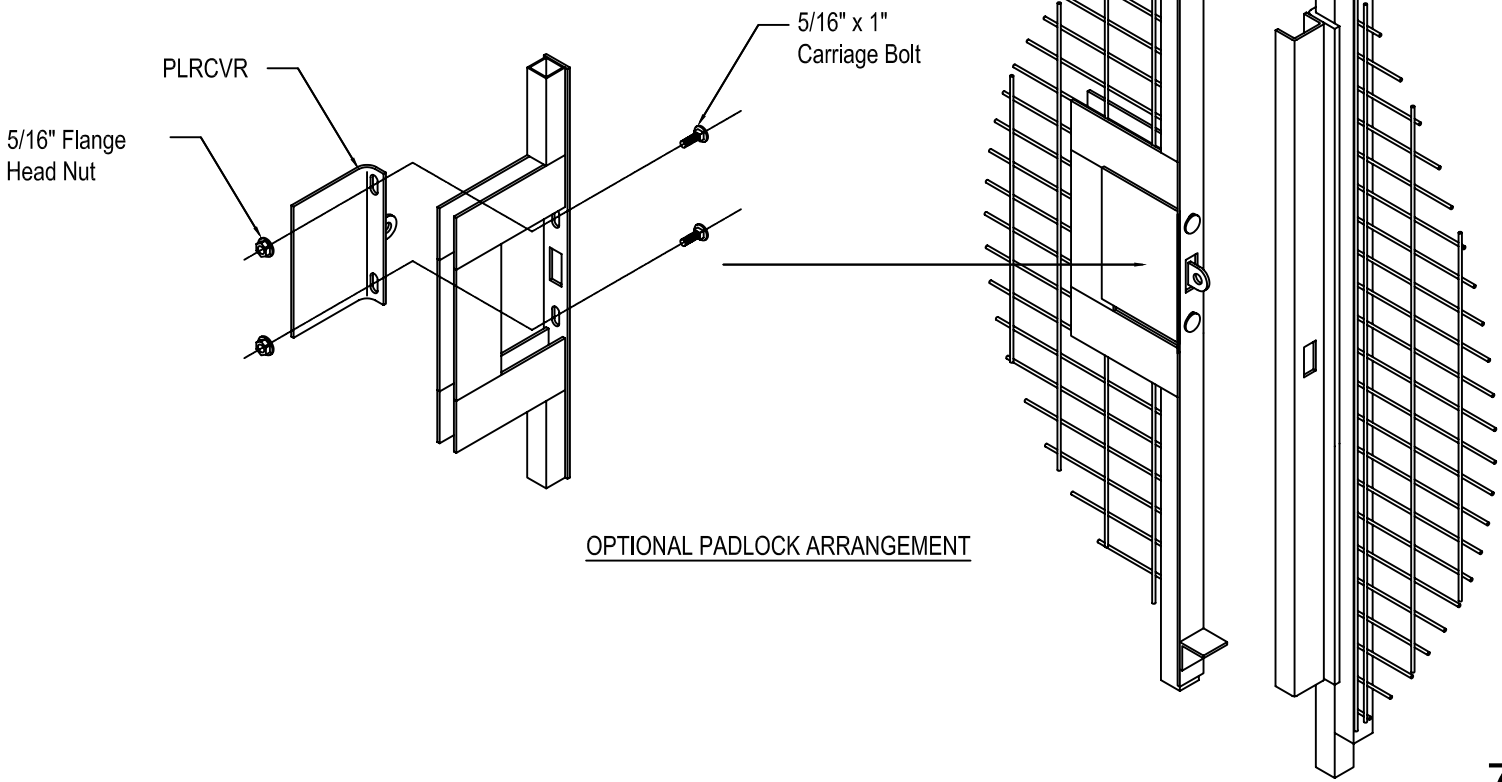
(4' x 8' Slide Door Shown)



# Slide Door Details

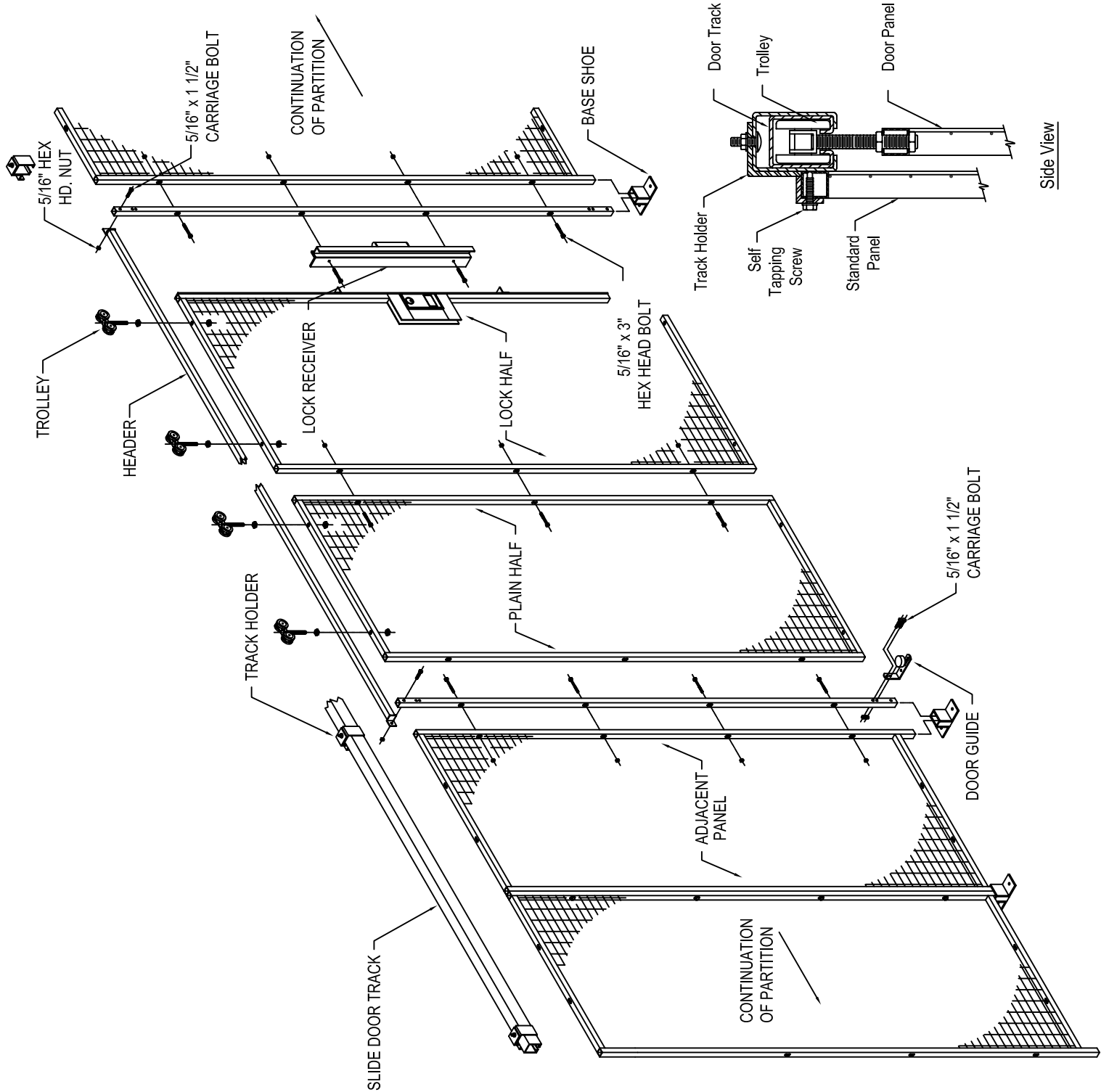


SLIDE DOOR GUIDE



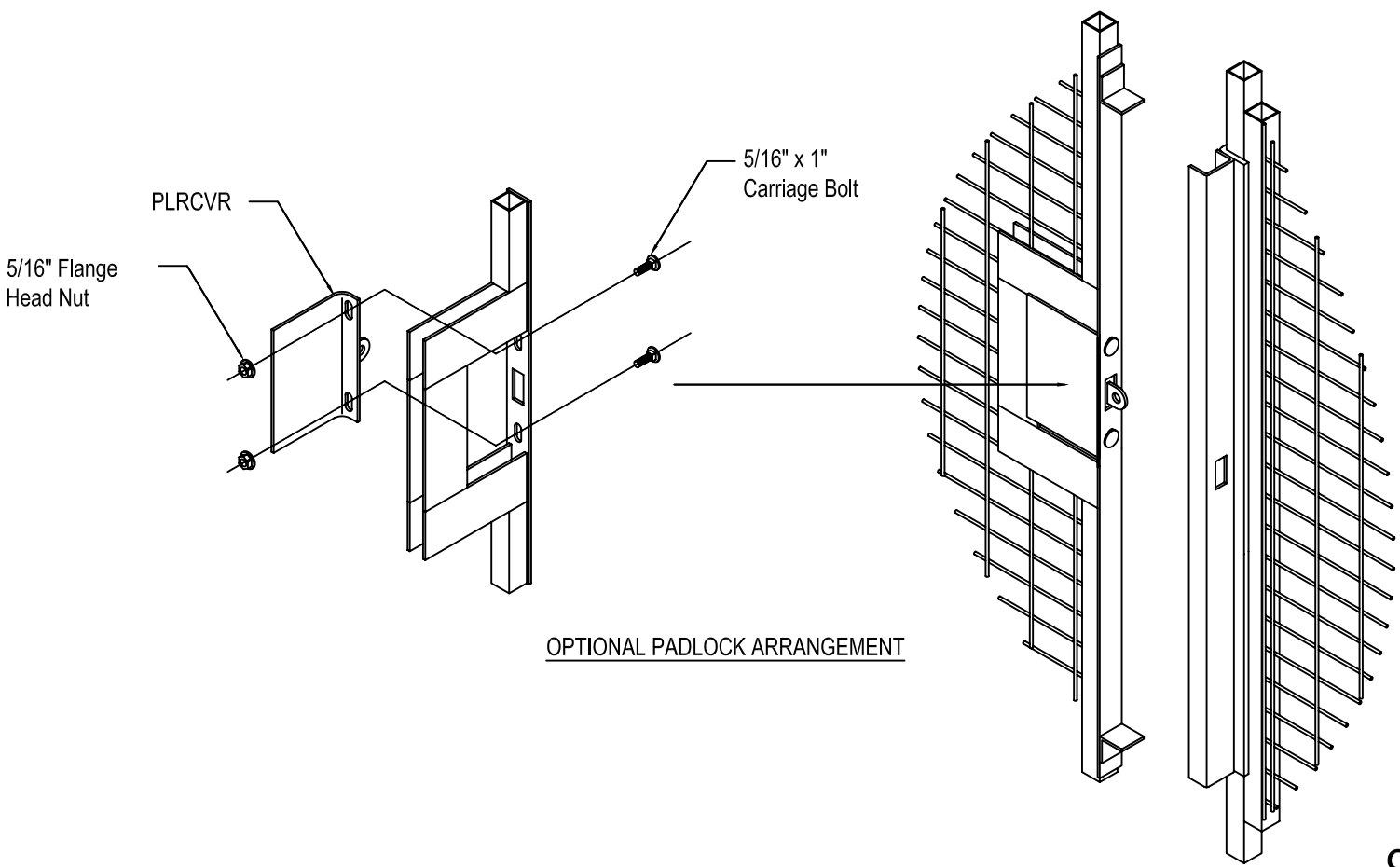
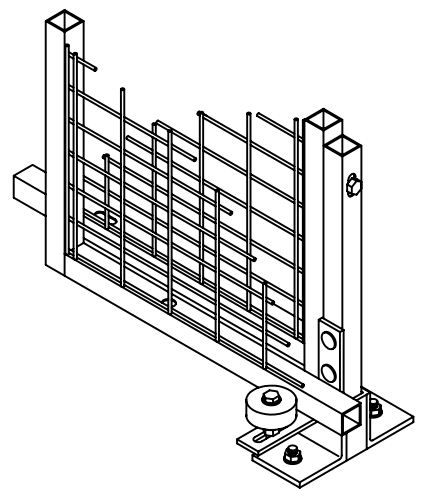
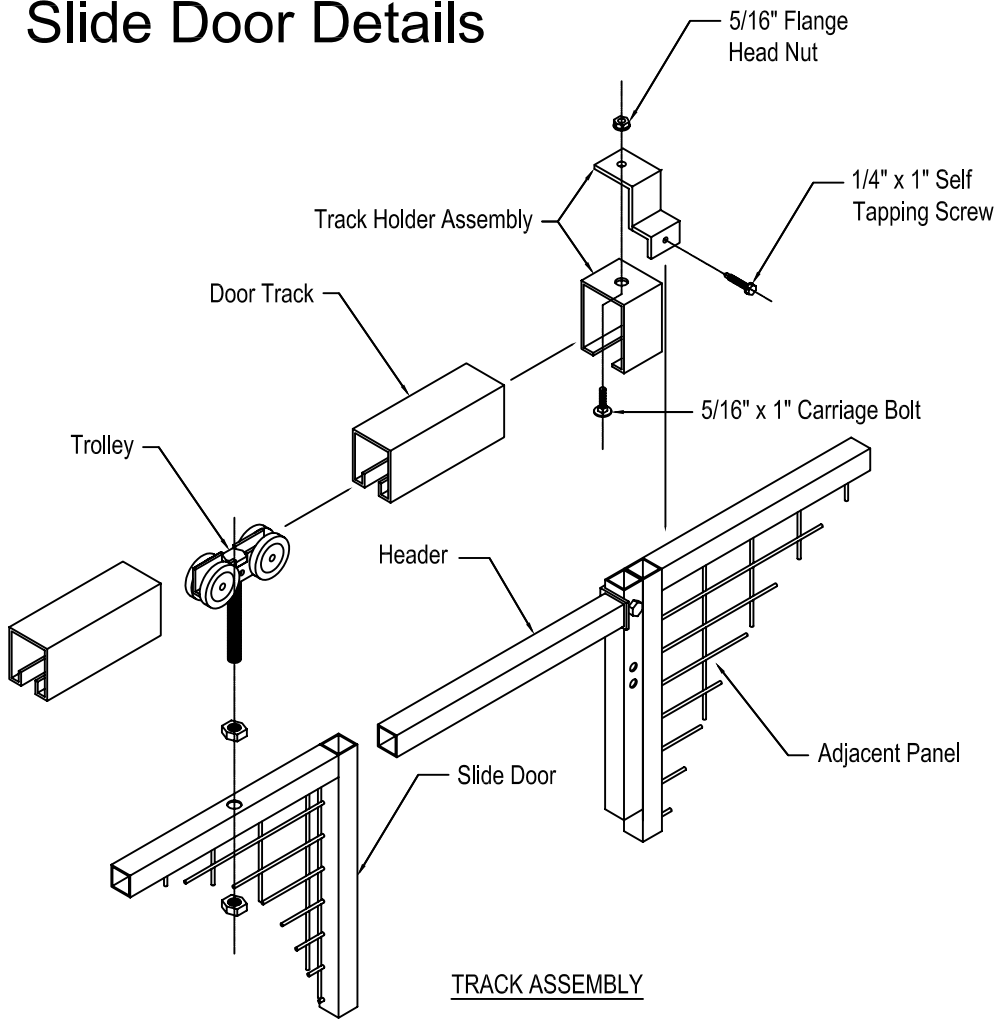
# Extra Wide Single Slide Door

(6' x 8' Slide door Shown)



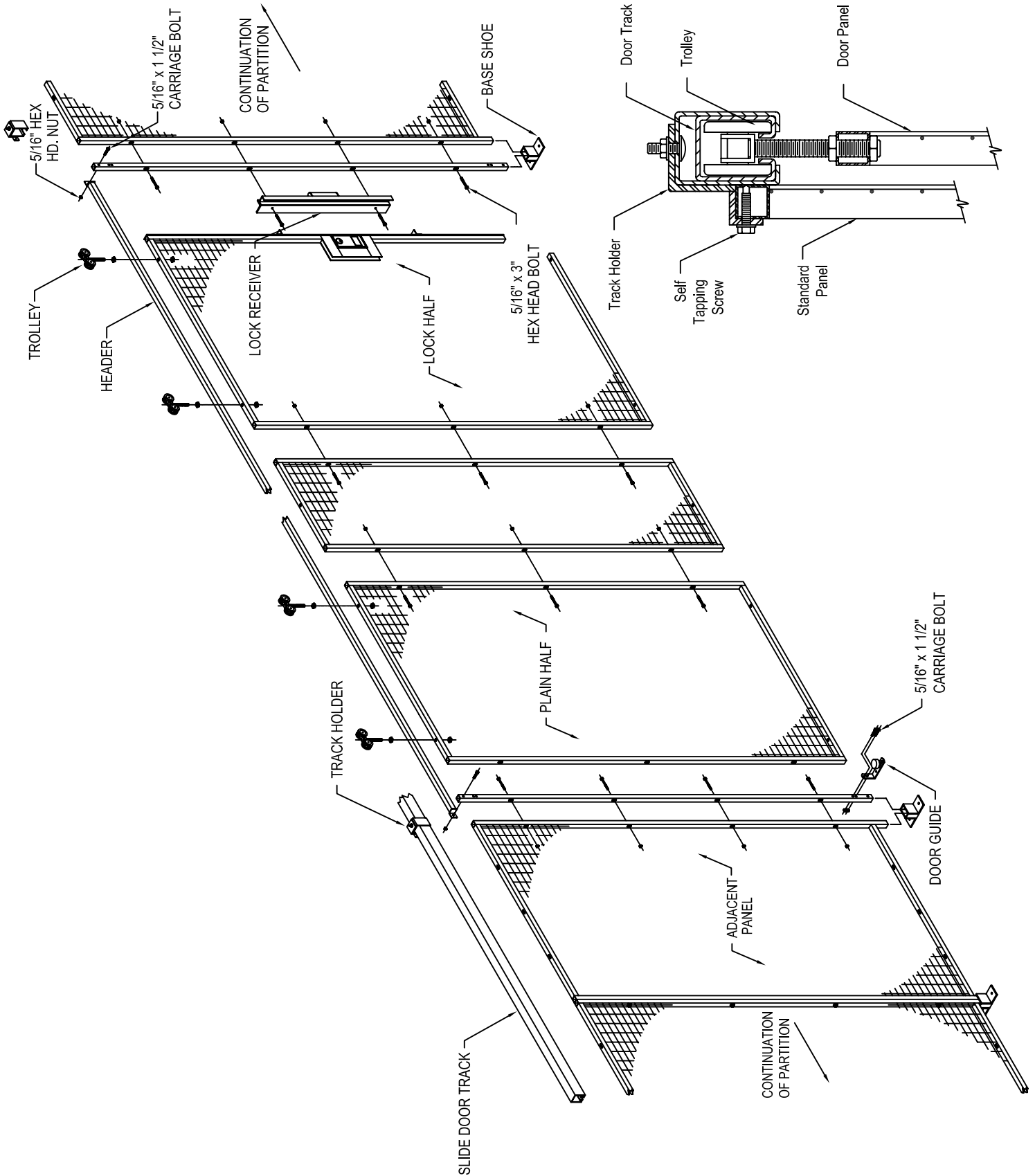


# Slide Door Details



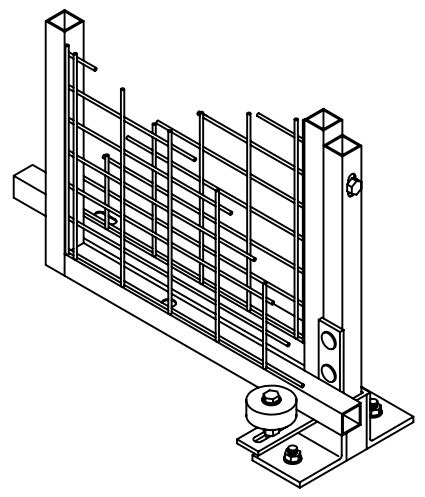
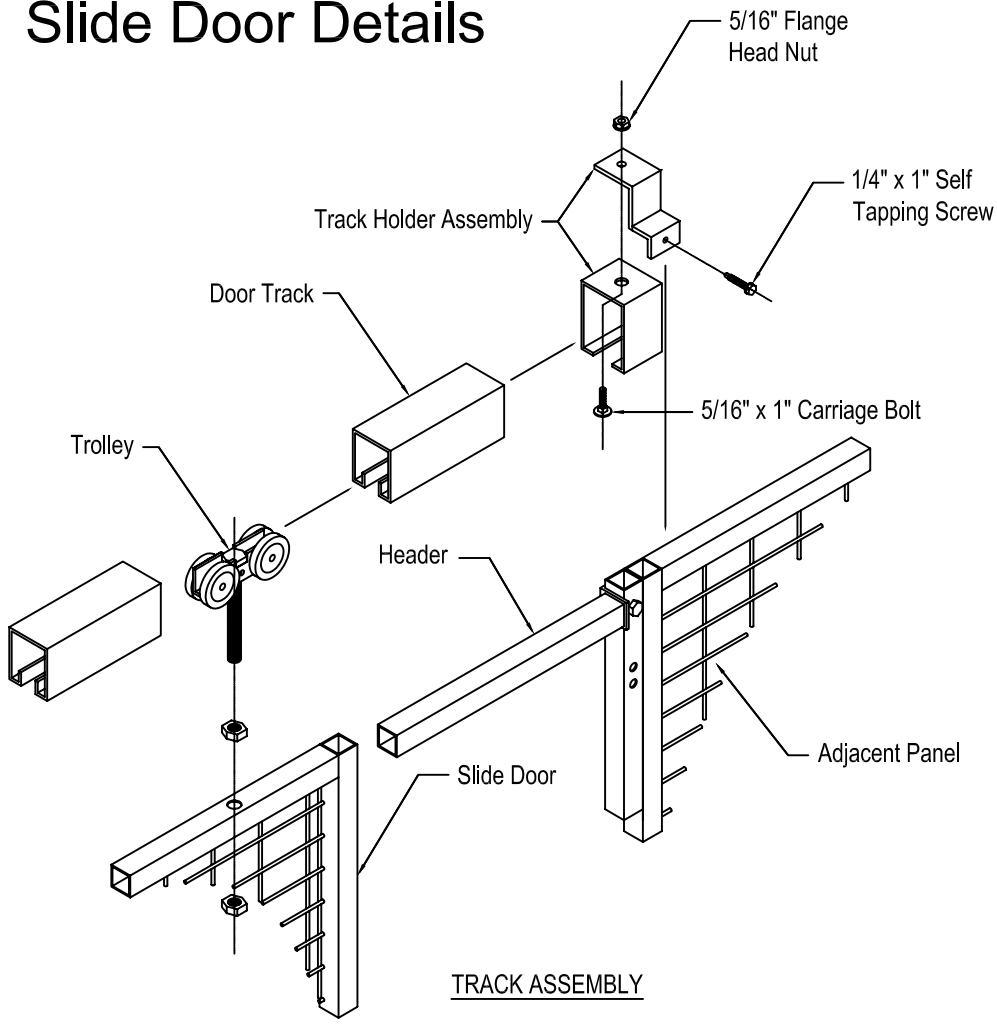
# Extra Wide Single Slide Door

(10' x 8' Slide Door Shown)

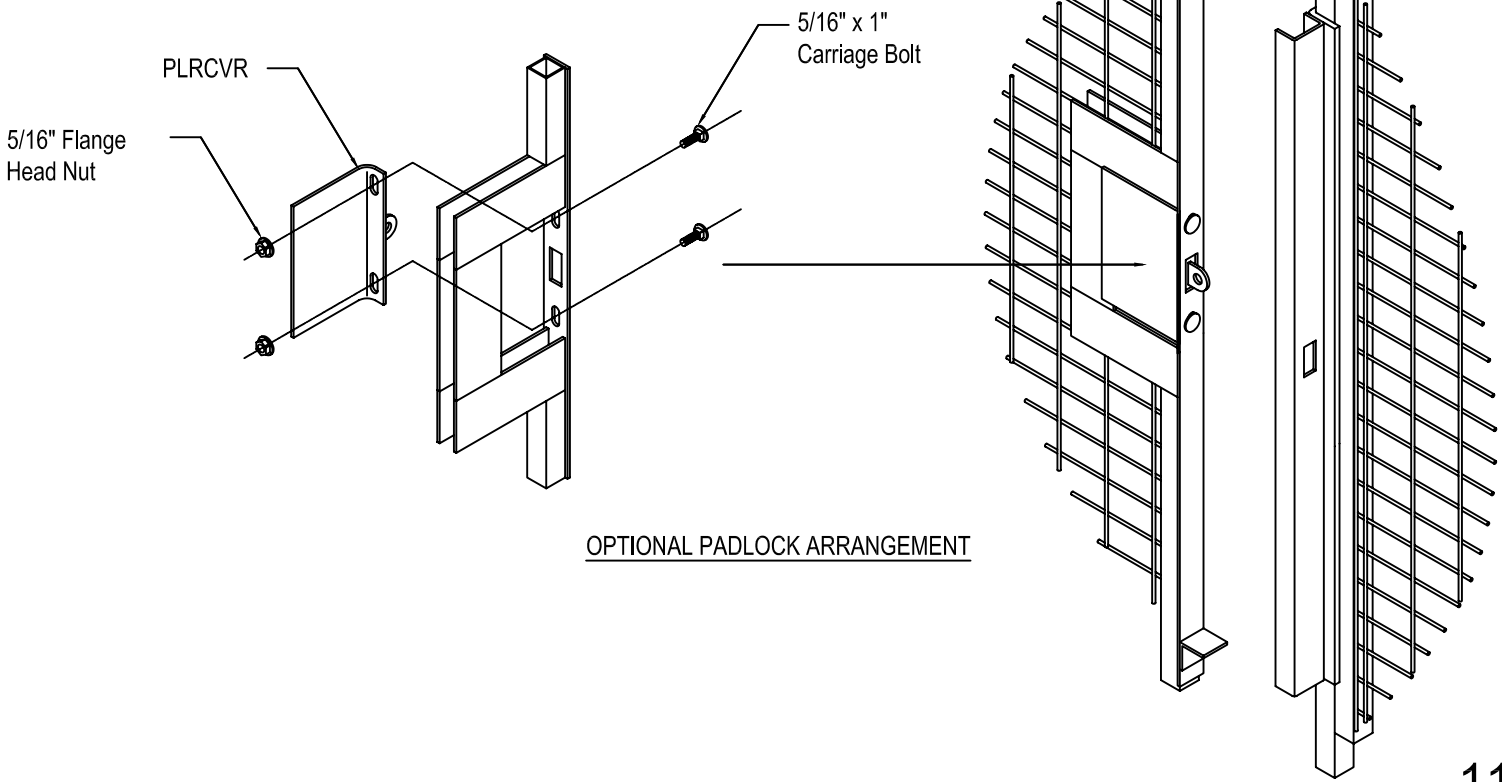


Side View

# Slide Door Details

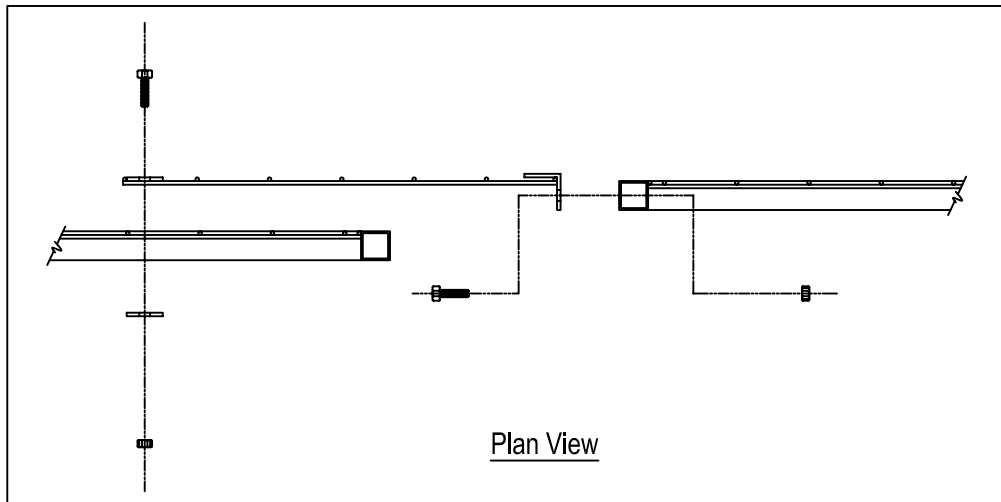
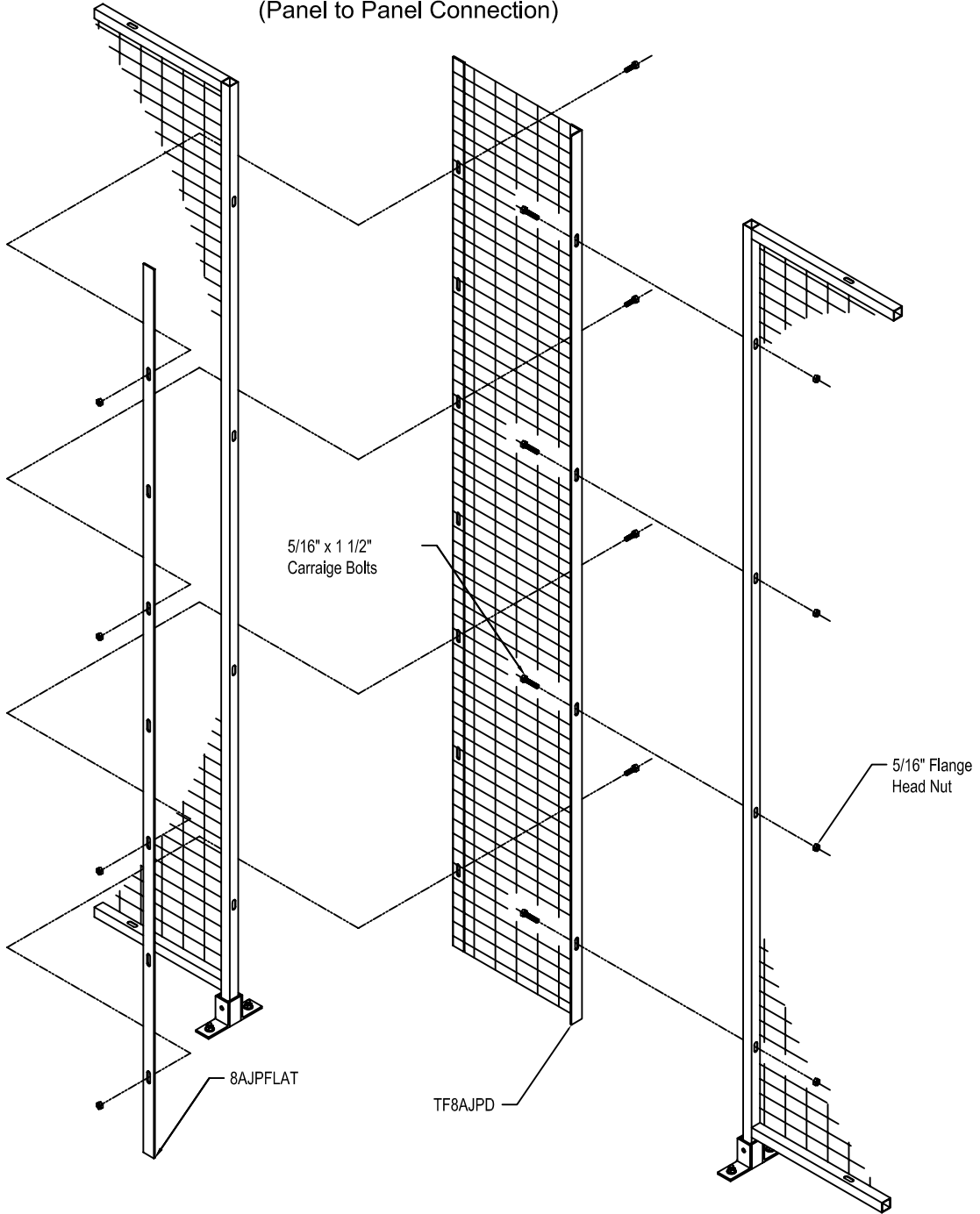


SLIDE DOOR GUIDE



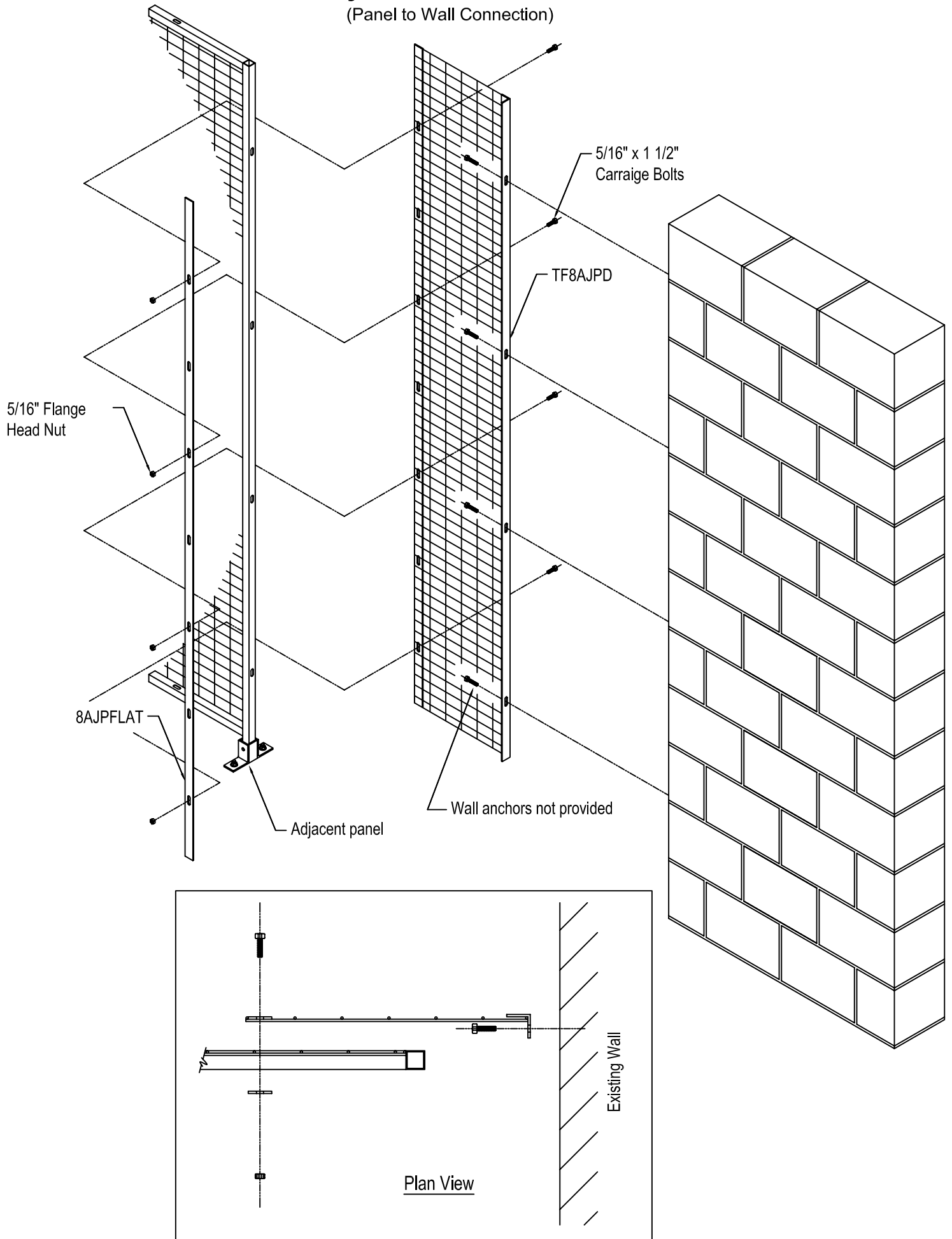
# Adjustable Panel

(Panel to Panel Connection)

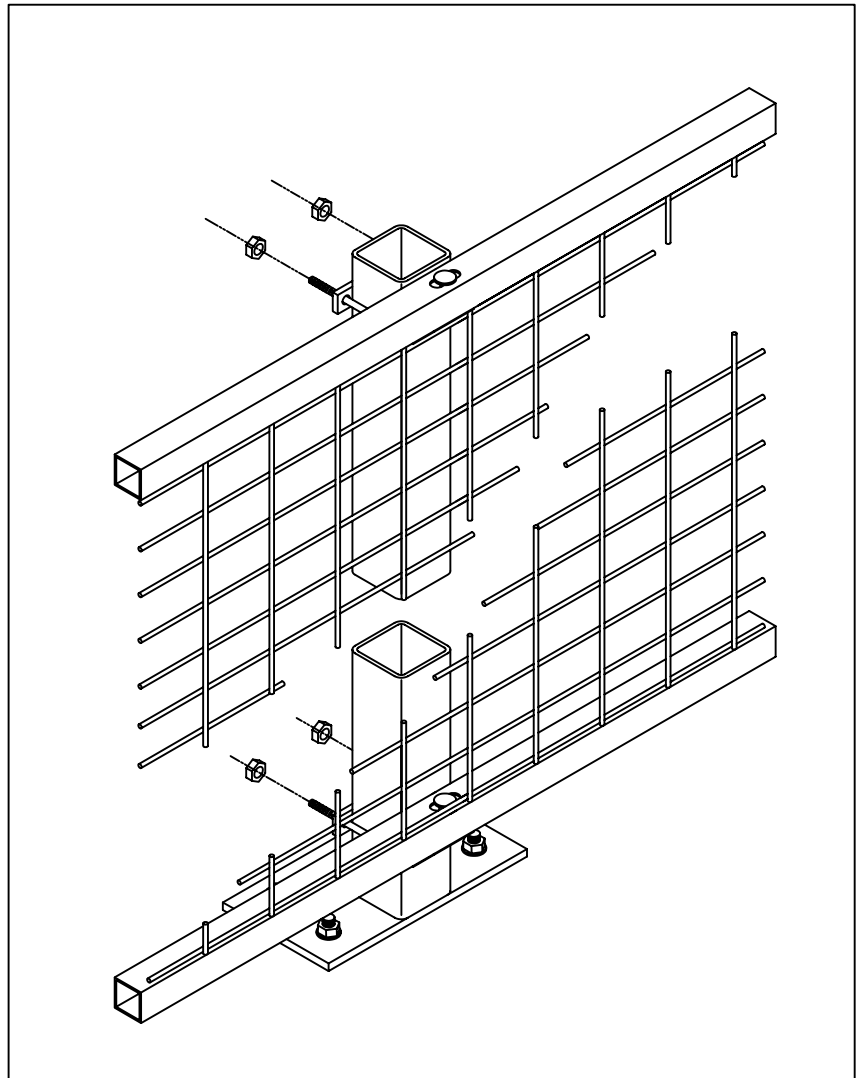


# Adjustable Panel

(Panel to Wall Connection)

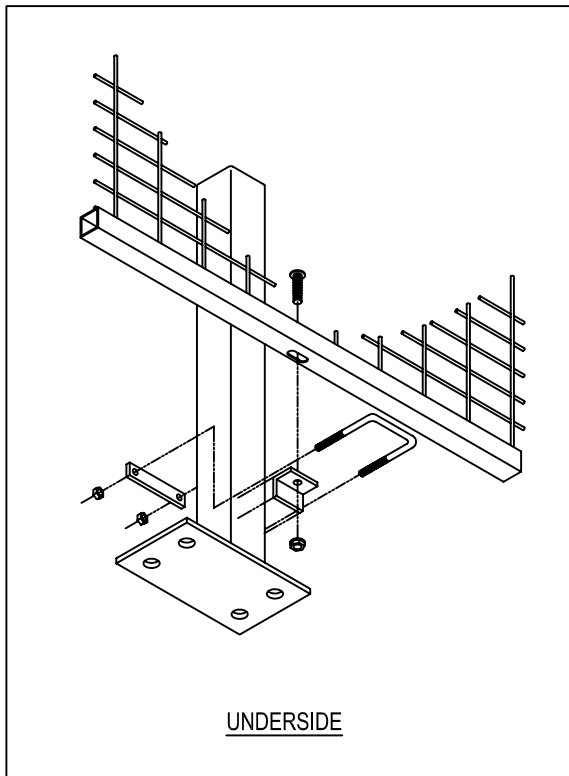


# Line Post Connection Details

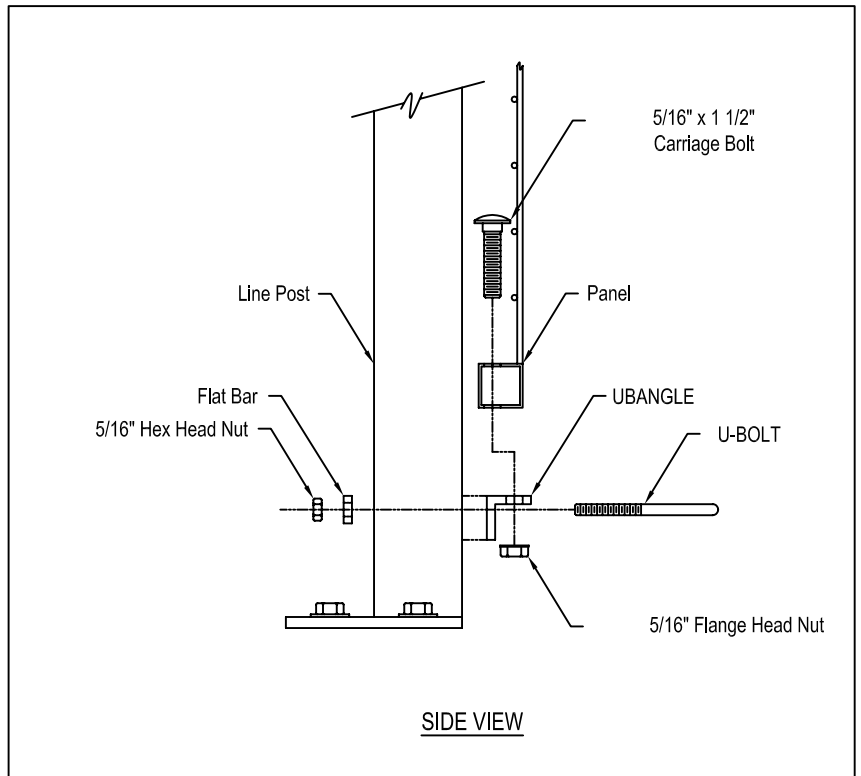


## LINE POST

For connection of a line post and a panel.  
Holes will accept a 3/8" dia. anchor.



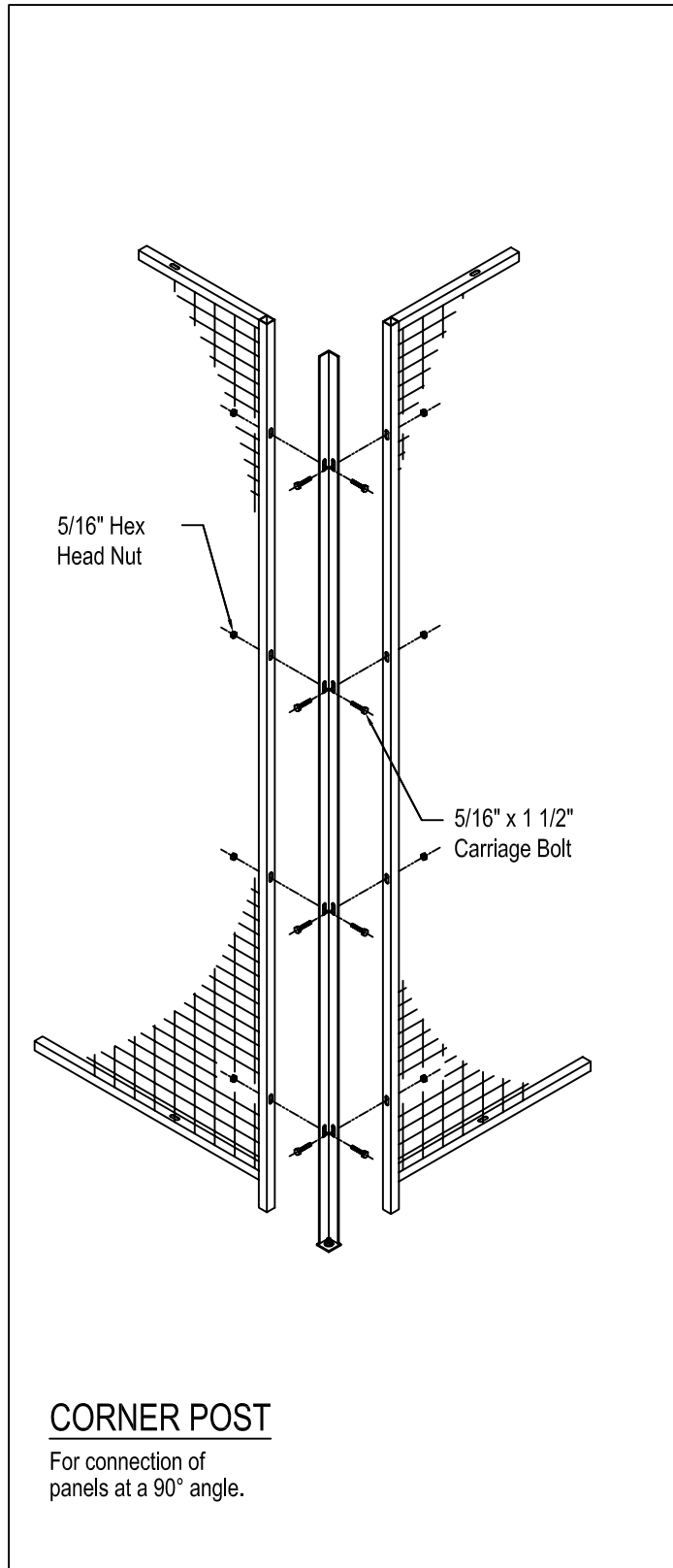
UNDERSIDE



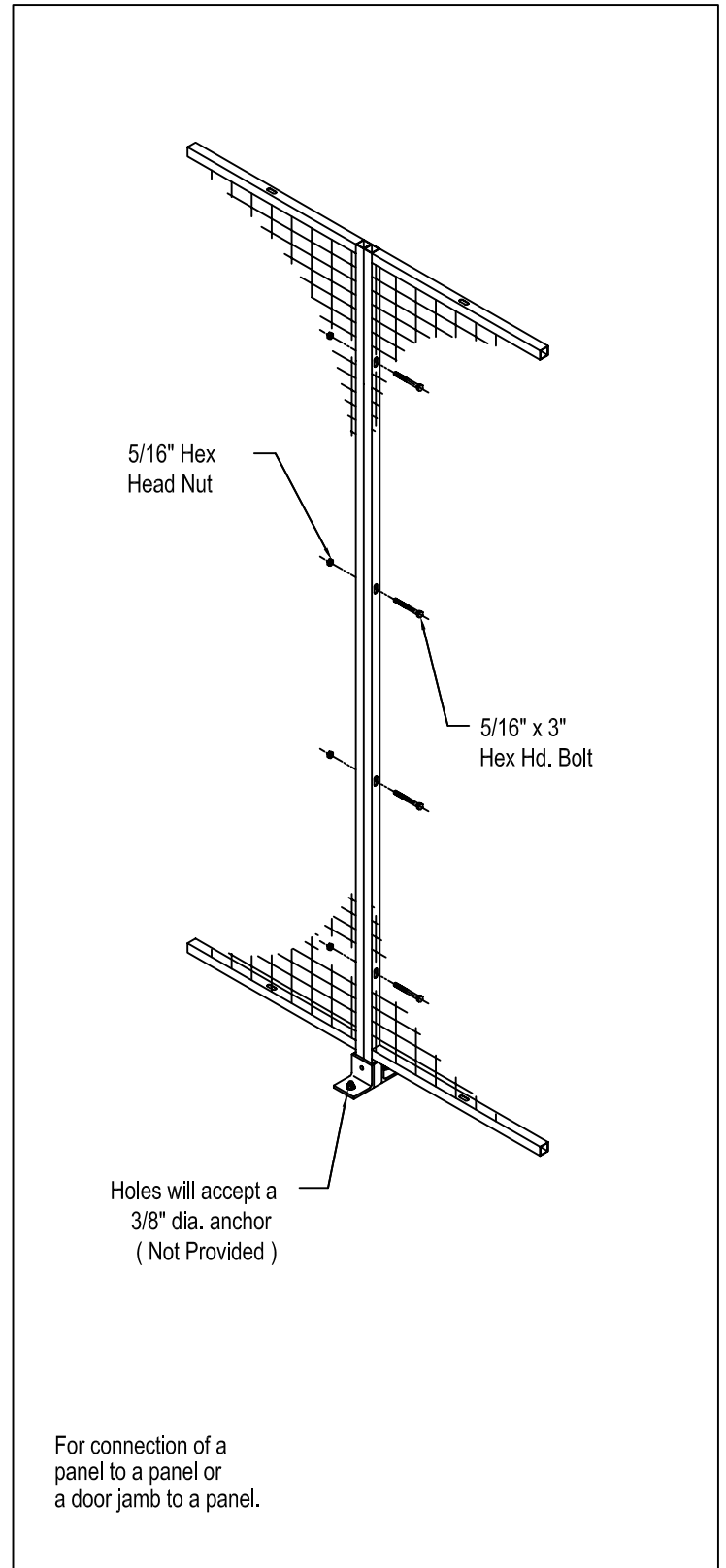
SIDE VIEW

# Corner Post & Panel to Panel Connection

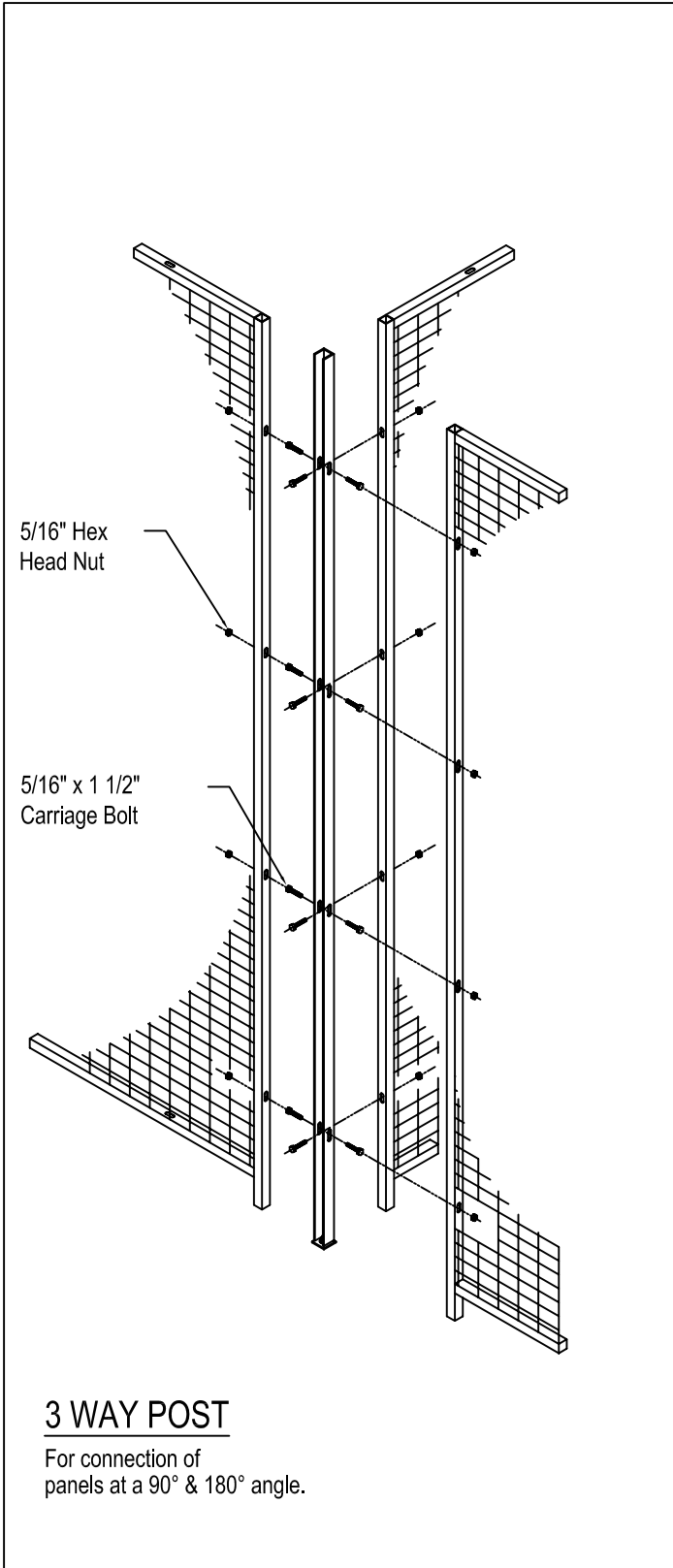
## Corner Post



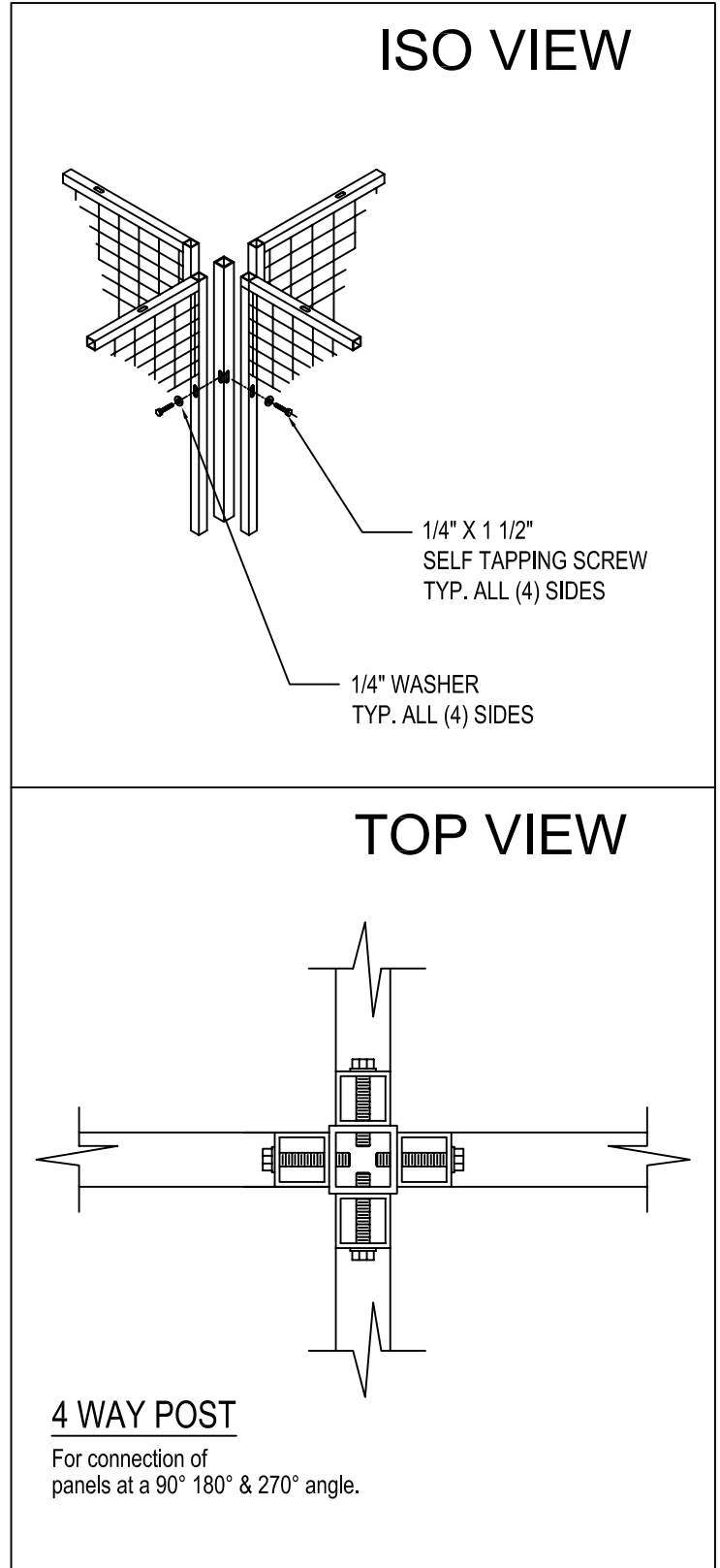
## Panel to Panel



# THREE WAY POST

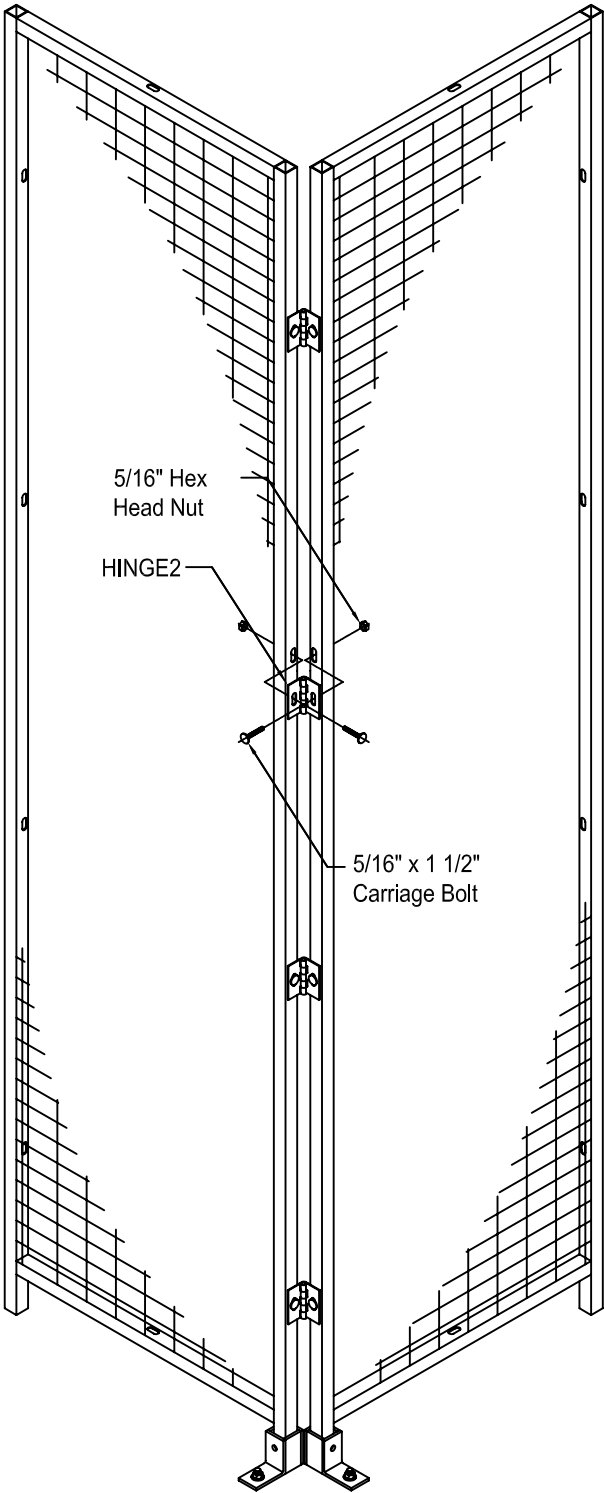


# FOUR WAY POST





# Adjustable Corner Kit



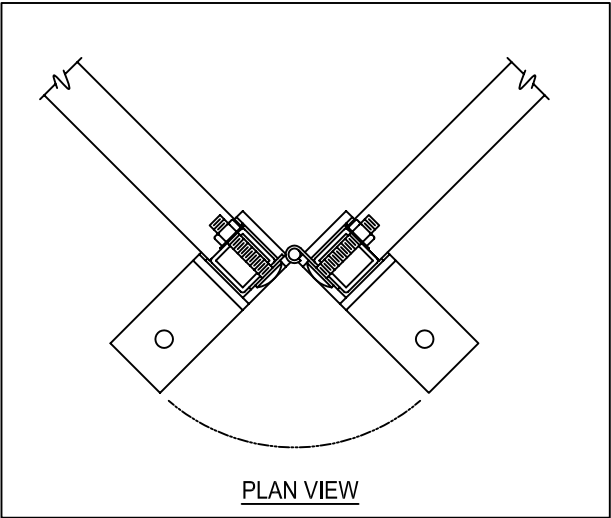
CONTINUATION  
OF PARTITION

CONTINUATION  
OF PARTITION

5/16" Hex  
Head Nut

HINGE2

5/16" x 1 1/2"  
Carriage Bolt

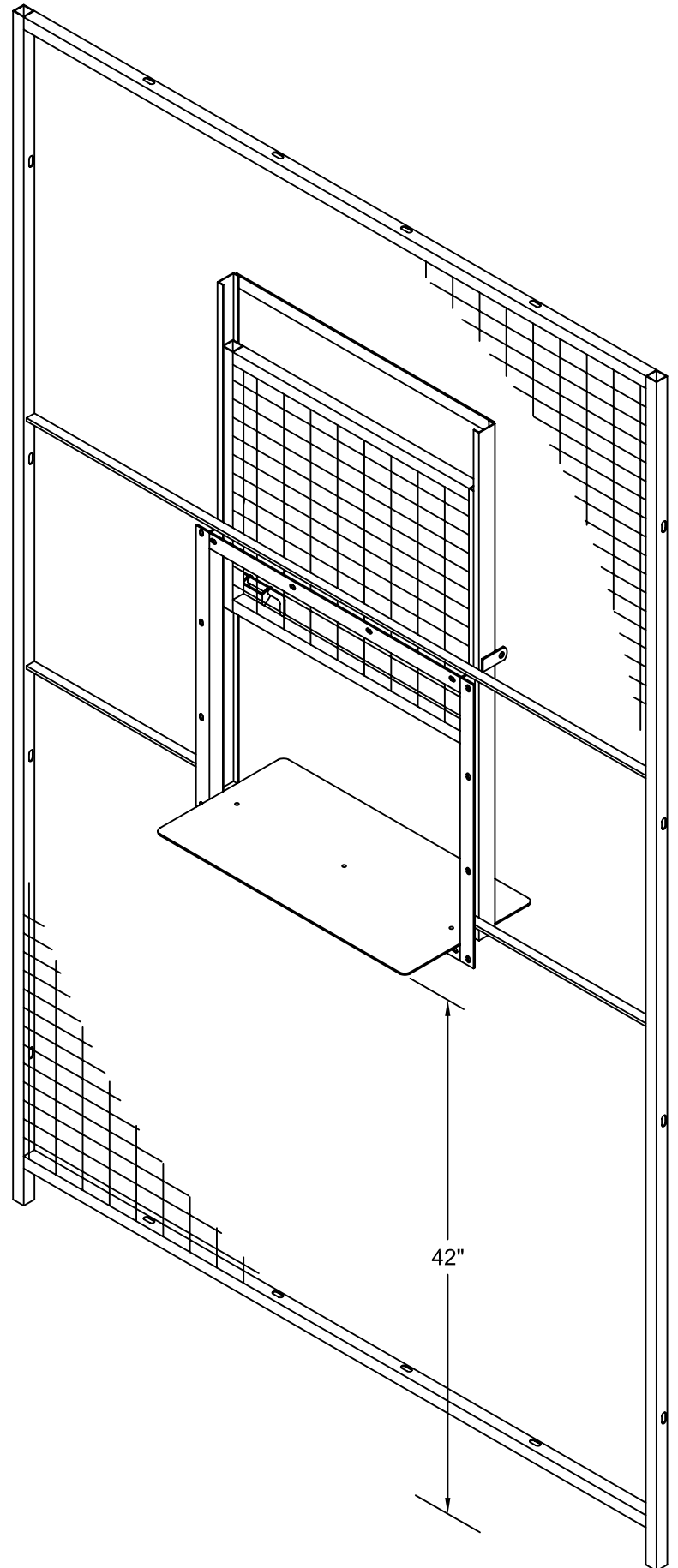
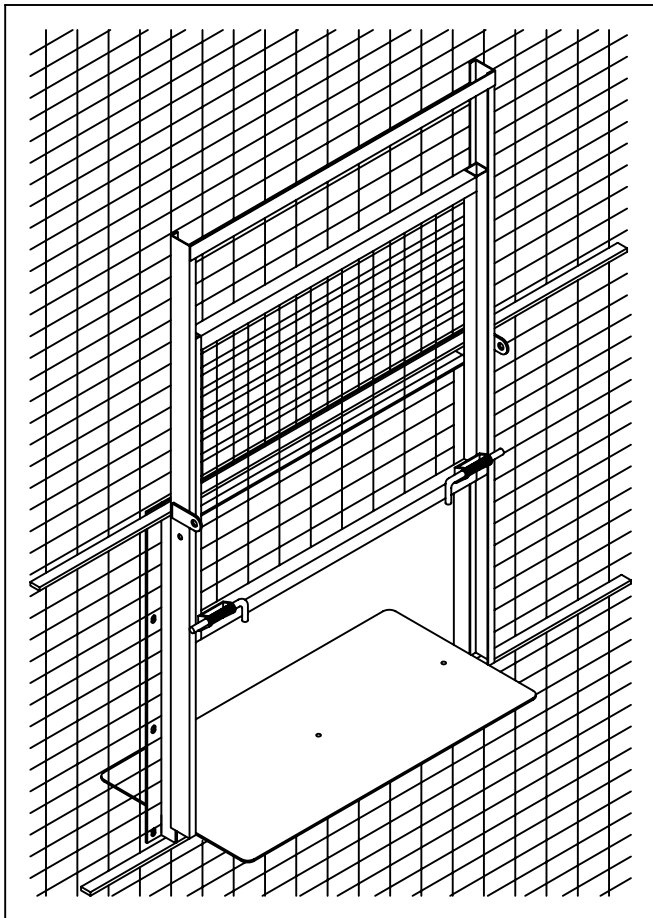


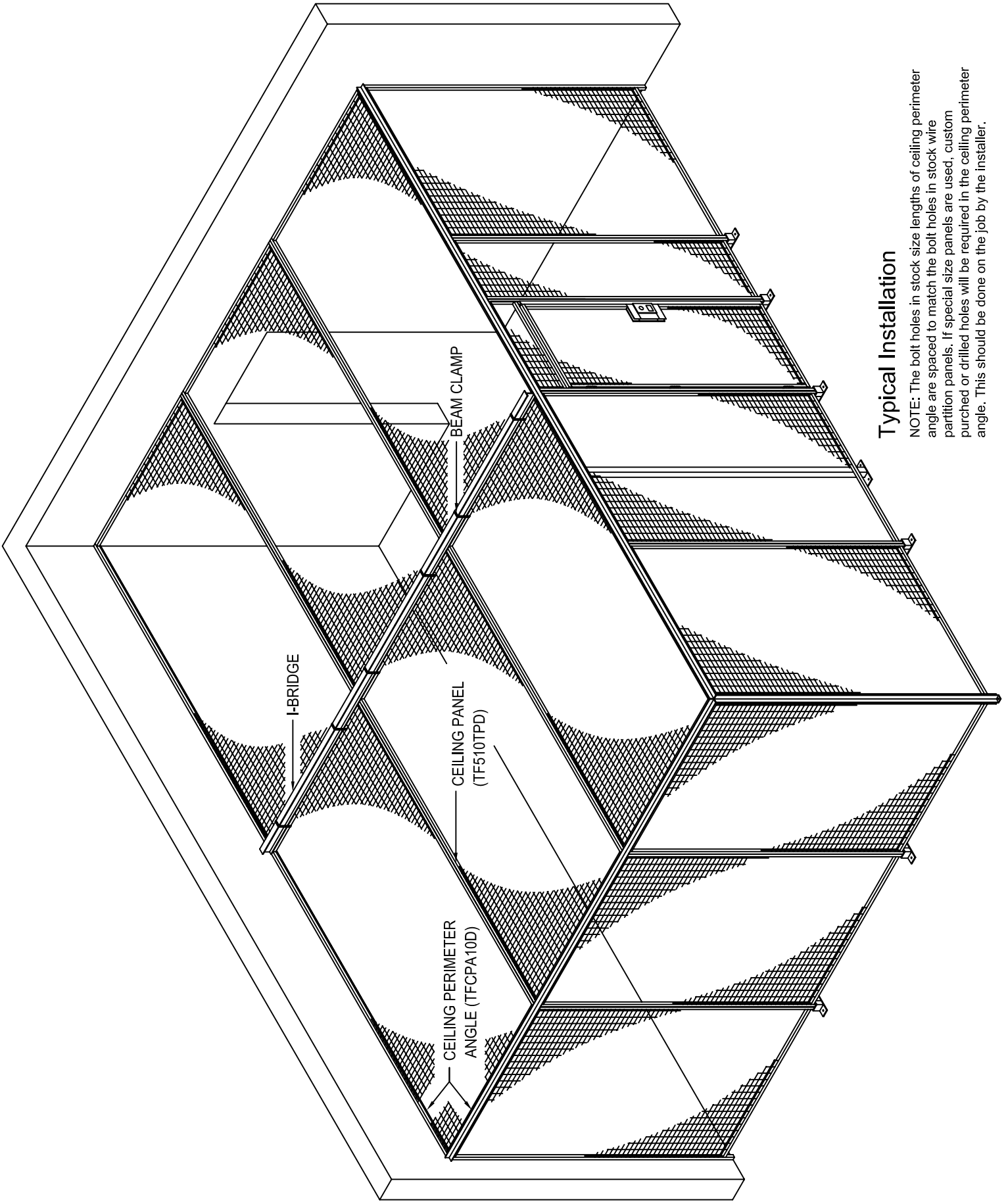
PLAN VIEW

8 ft. high panels will require a TF8AJCK.  
10 ft. high panels will require a TF10AJCK.

# Service Window

(Window Shown Installed in a 5' x 8' Panel)

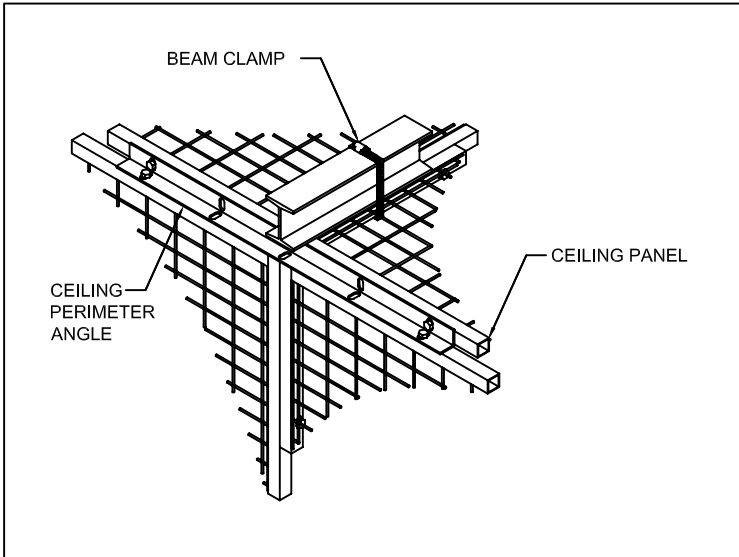




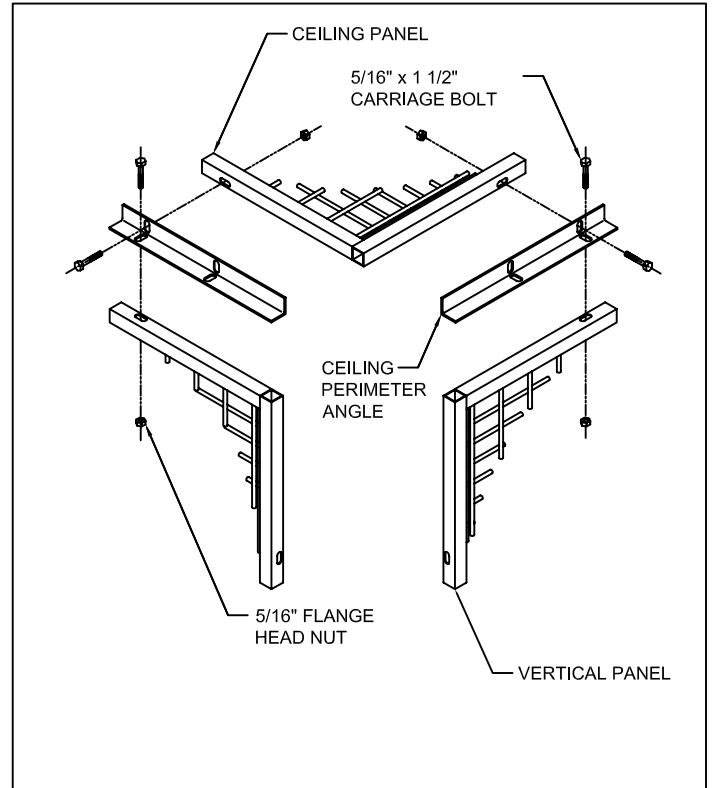
### Typical Installation

NOTE: The bolt holes in stock size lengths of ceiling perimeter angle are spaced to match the bolt holes in stock wire partition panels. If special size panels are used, custom punched or drilled holes will be required in the ceiling perimeter angle. This should be done on the job by the installer.

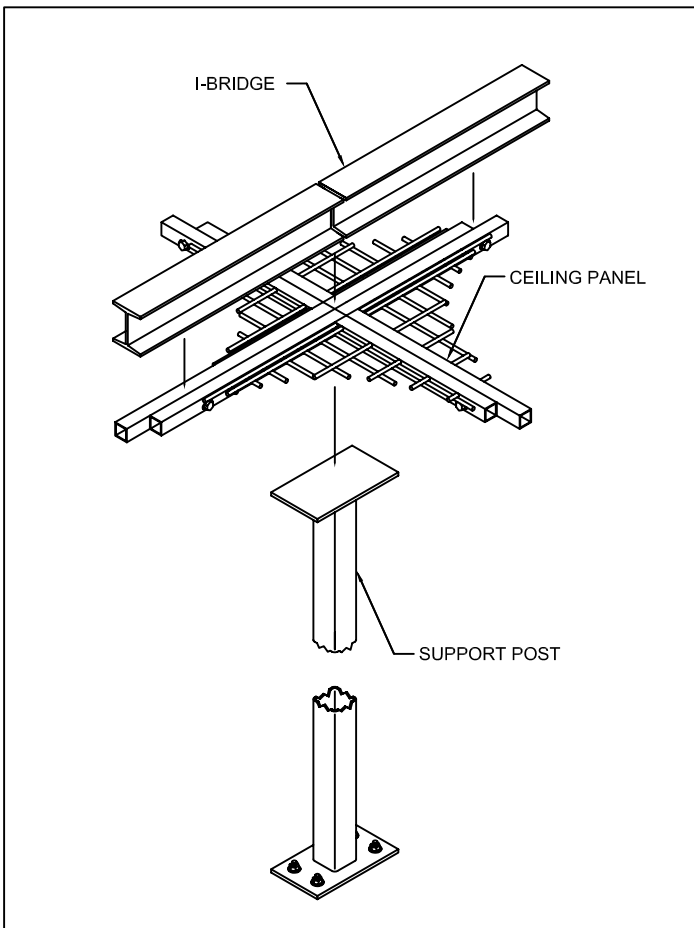
# Typical Ceiling Applications



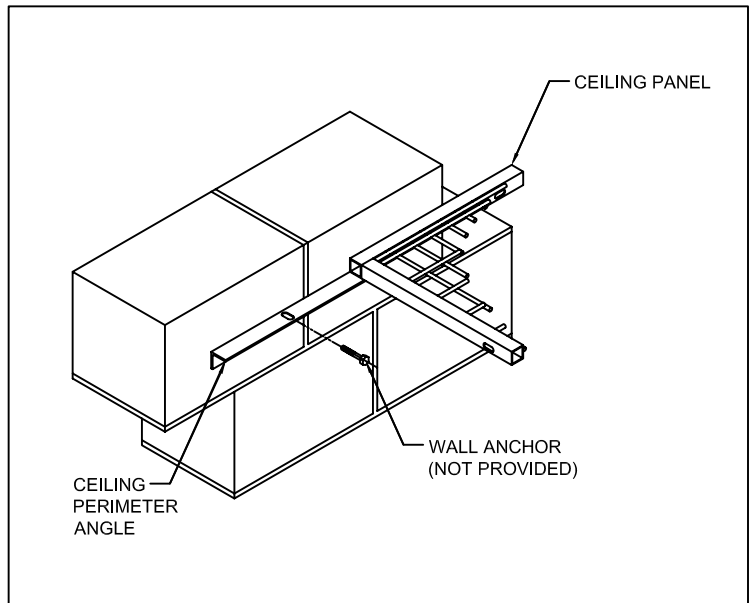
I-Bridge Assembly  
(used when area exceeds 10' x 10')



Ceiling Perimeter Angle Panel Application



I-Bridge / Support Post  
(Used when ceiling area exceeds 10' x 10' in two directions)



Ceiling Perimeter Angle Wall Application