

Rack Guard Installation Instructions (NOT ONLINE)

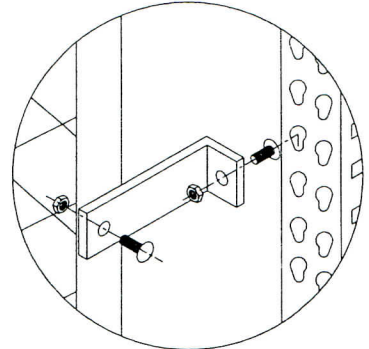
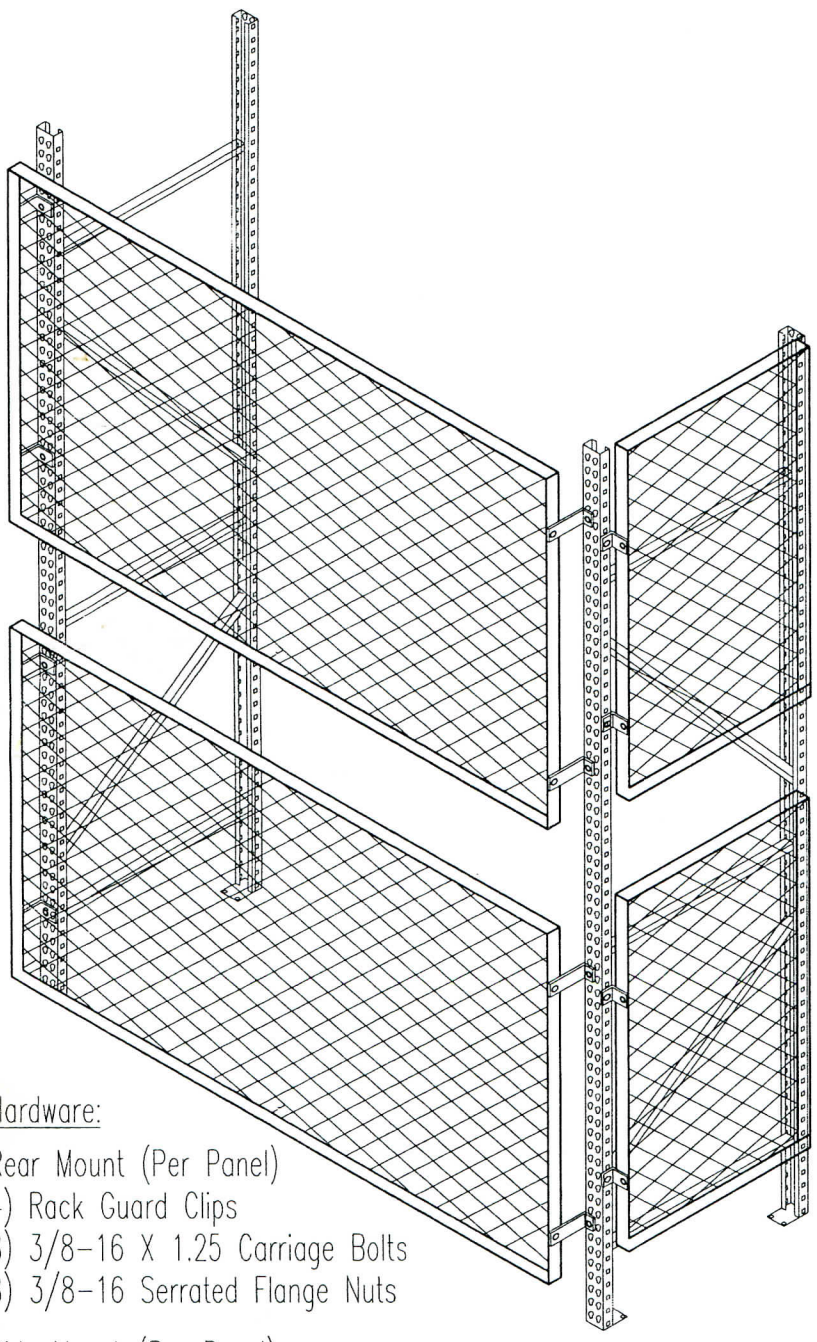


Fig. 1 (Rear Mount)

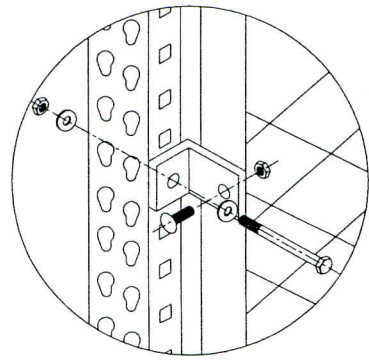


Fig. 2 (Side Mount)

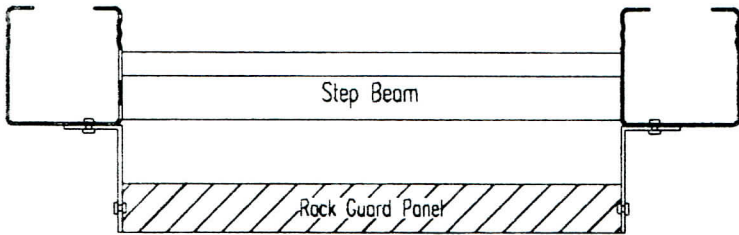
Hardware:

- Rear Mount (Per Panel)
 4) Rack Guard Clips
 8) 3/8-16 X 1.25 Carriage Bolts
 8) 3/8-16 Serrated Flange Nuts

- Side Mount (Per Panel)
 4) Rack Guard Clips
 8) 3/8-16 X 4.00 Hex Bolts
 8) 3/8-16 Serrated Flange Nuts
 16) 3/8 Flat Washers

Notes:

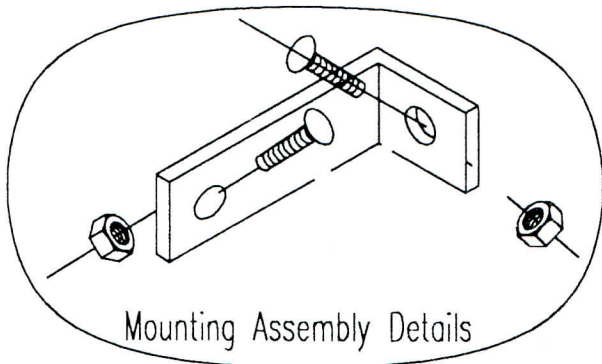
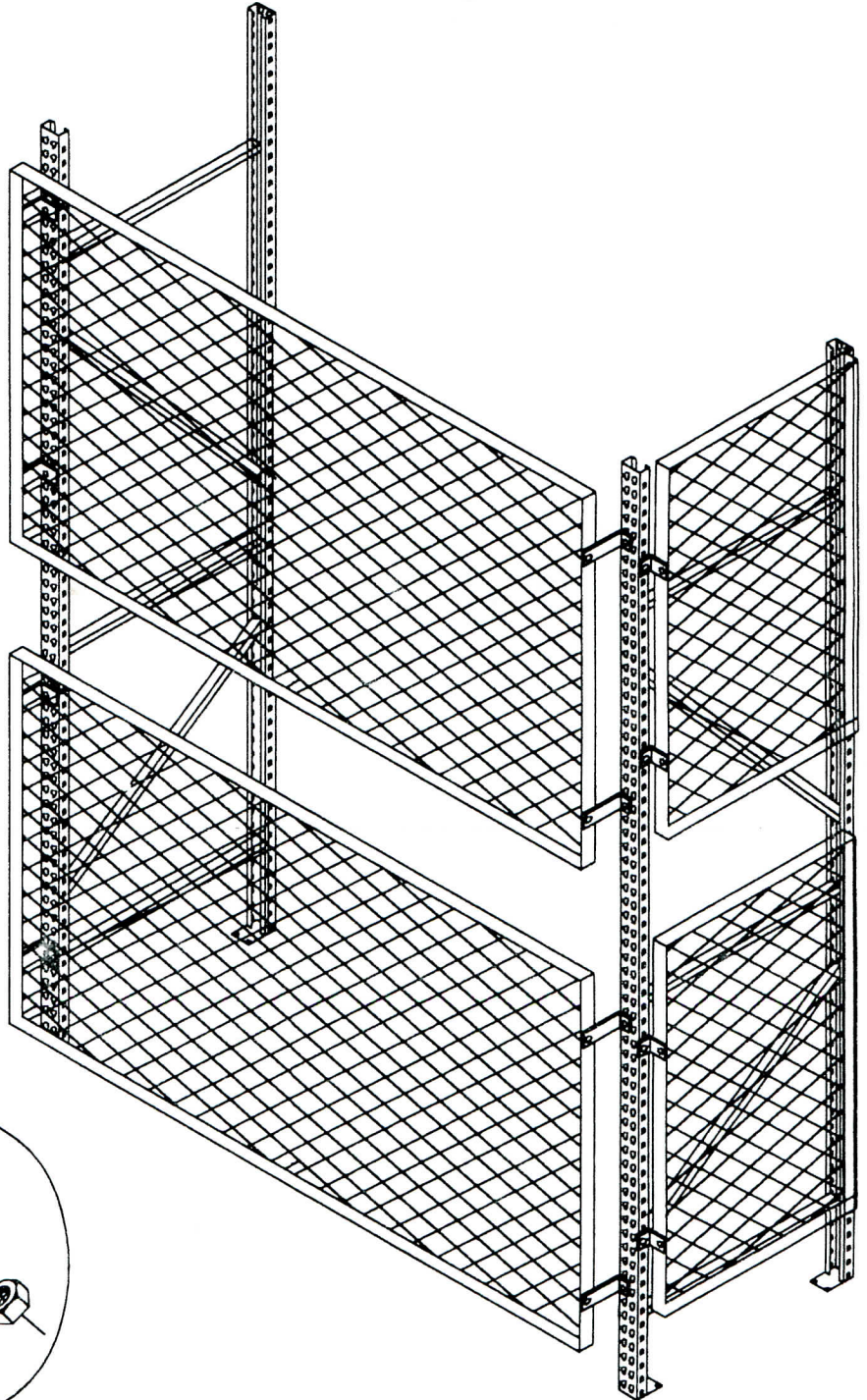
1. For rear mount panel on tubular upright place bolt through clip and start nut. Then insert carriage bolt head through the top of the tear drop and slide down. Once at the bottom of the teardrop tighten nut.
2. Care must be taken when installing side mount bolts to ensure that post deformation does not occur.



Rack Guard

Specifications:

1. Rack Guard brackets, bolts and nuts required with each panel.
2. One Panel required for each Rack Bay (Panel is same length as Beam)
3. Construction--1 1/2" diamond wire mesh, welded in 1 1/4 x 1 1/4 x 1/8 angle frame.
4. Bolts: 1" x 3/8-16 carriage
5. See inset for assembly



Mounting Assembly Details



Denver, N.C. 28037

WW/Hu--L02