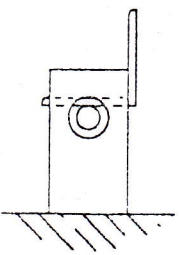




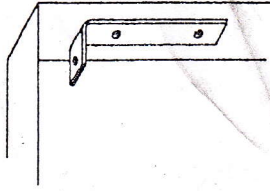
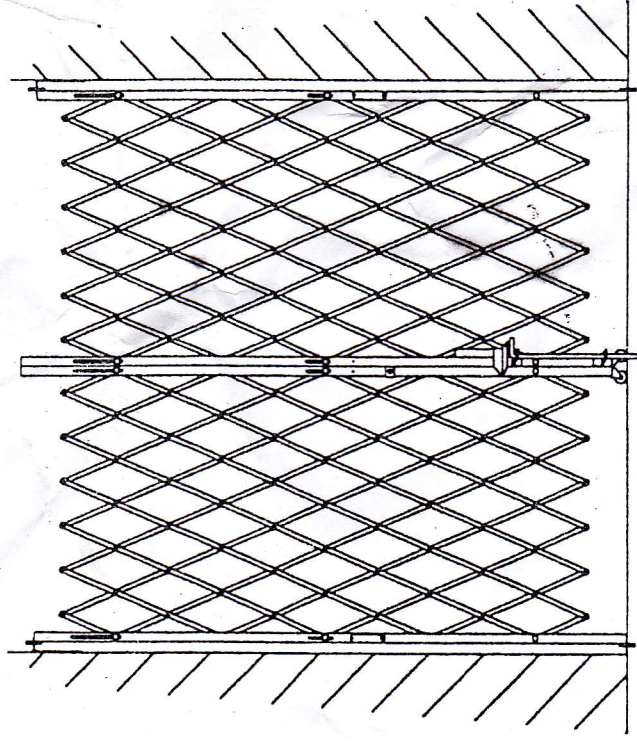
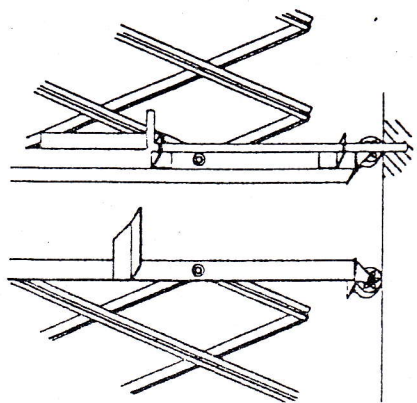
W I R E W A Y / H U S K Y
C O R P .

STEEL FOLDING GATES

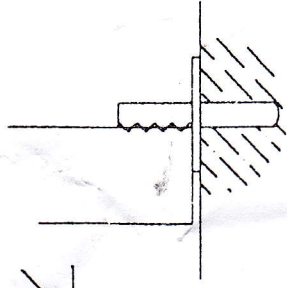


Standard Pin Type Mount with "L" bracket holds top of gate to wall.

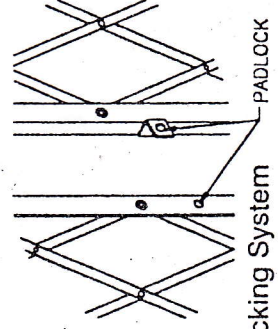
The Drop Pin slips into the same size hole and is secured by a gussett angle on opposite gate rail.



"L" Brackets allow gates to be installed on surface or recess. Extended brackets facilitate installing inside of overhead door tracks.



Bottom Mount is the lower pin inserted through a bearing washer into a 1/2" x 2" hole drilled into floor.



Standard Locking System will accept a Padlock up to 1/2" dia. shaft.